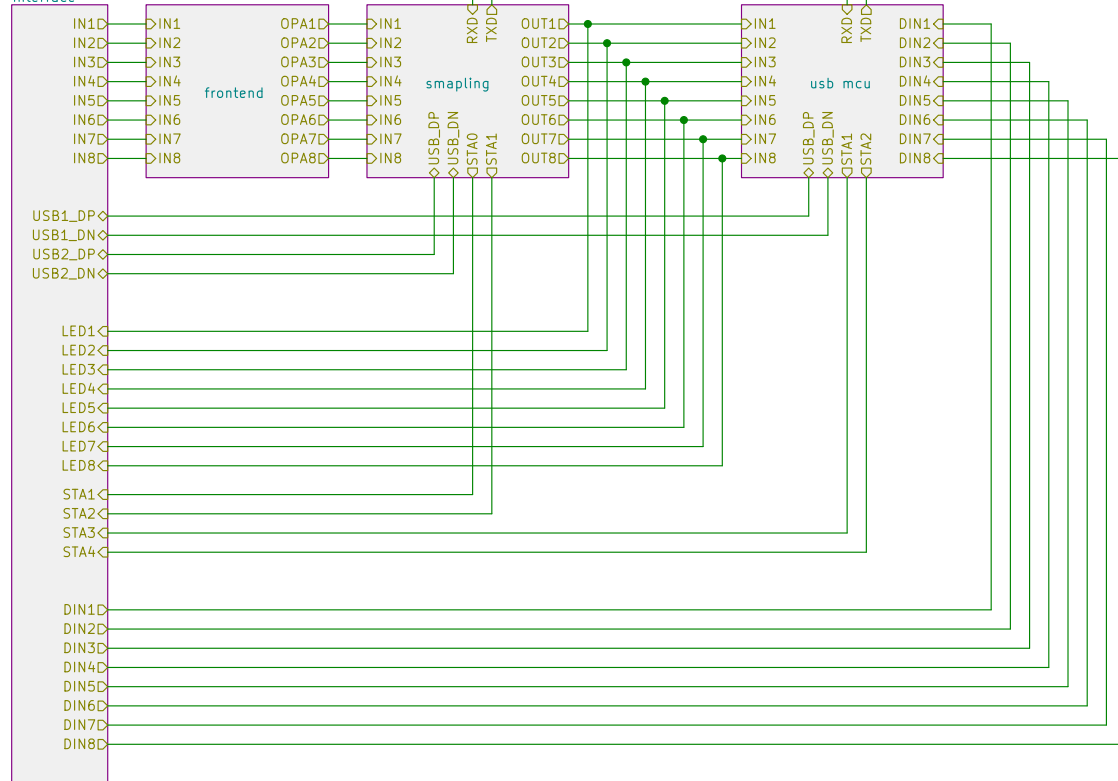


interface

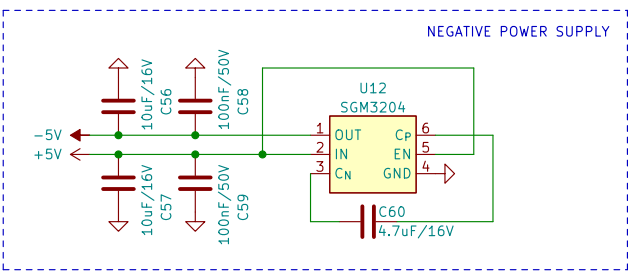
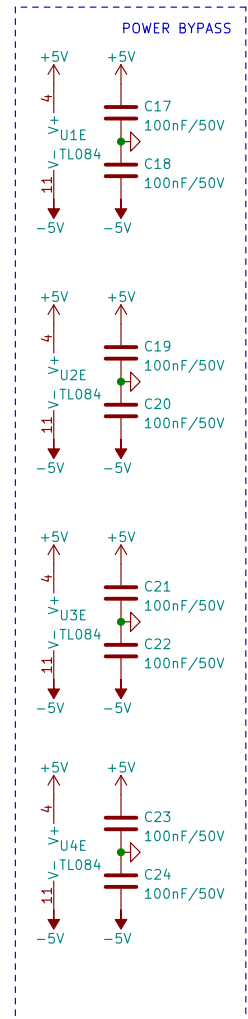
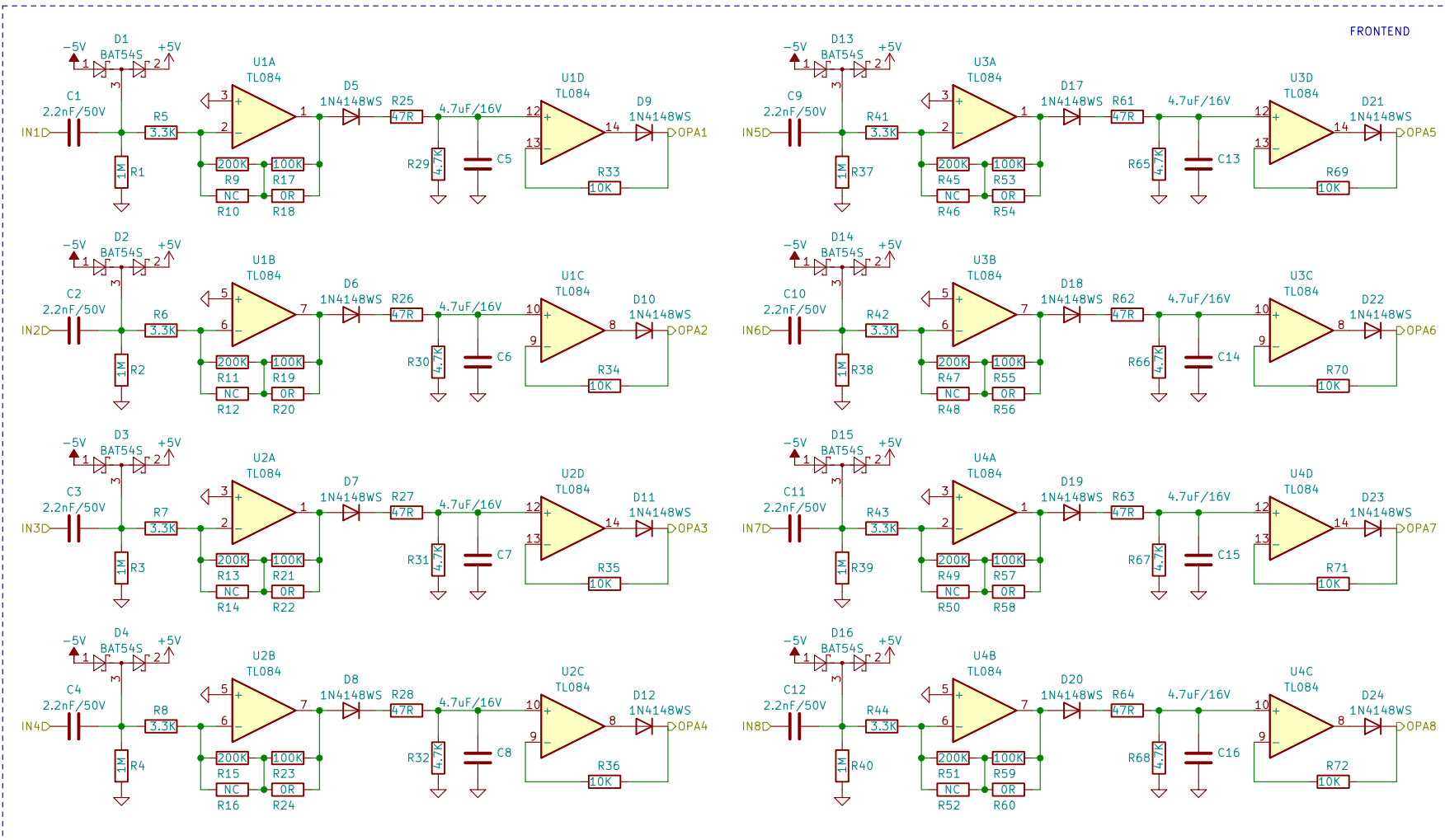


Sheet: /  
File: new\_io.kicad\_sch

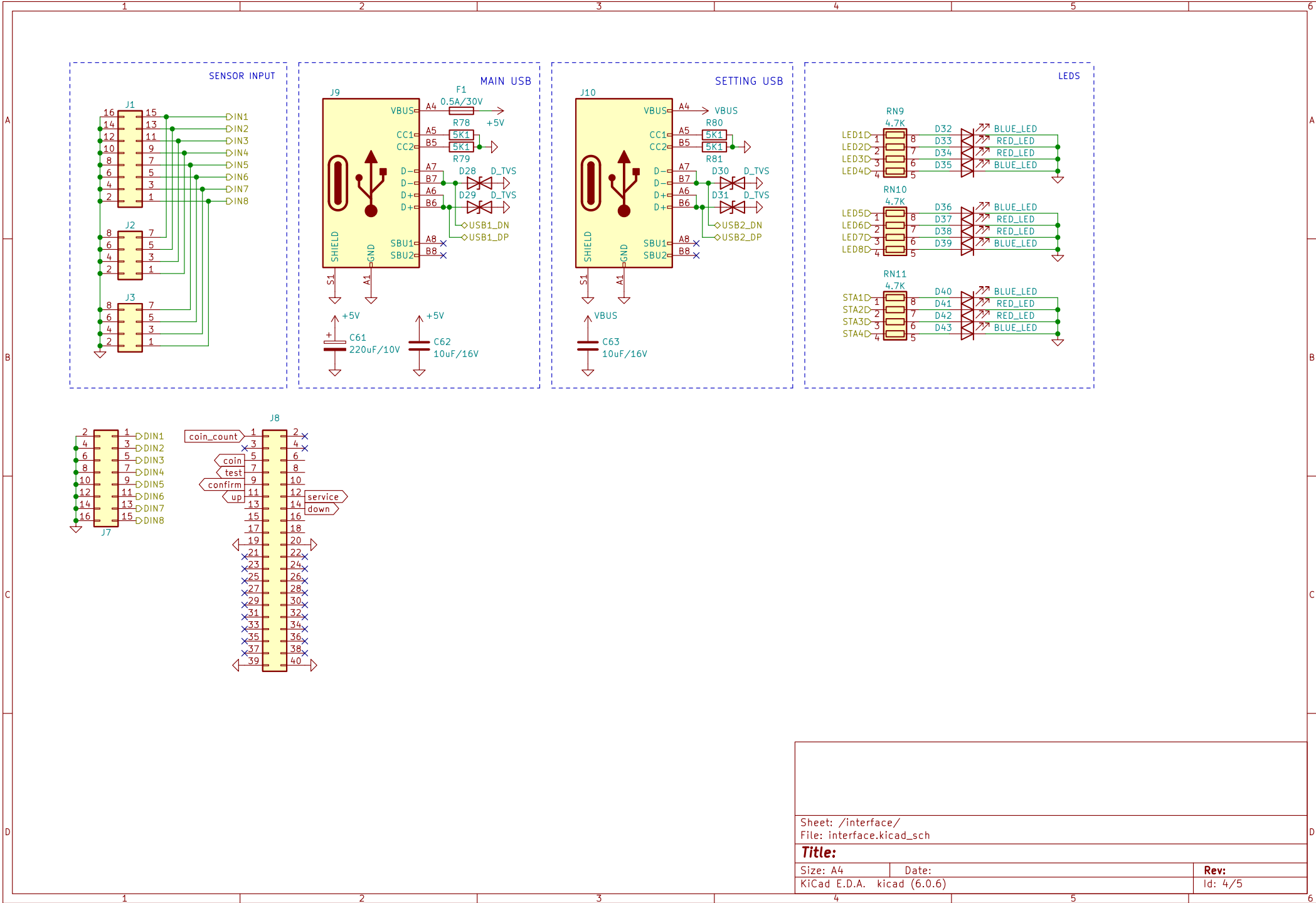
**Title:**

Size: A4      Date:  
KiCad E.D.A. kicad (6.0.6)

**Rev:**  
Id: 1/5



Sheet: /frontend/	
File: frontend.kicad_sch	
<b>Title:</b>	
Size: A4	Date:
KiCad E.D.A. kicad (6.0.6)	
<b>Rev:</b>	
Id: 2/5	



Sheet: /interface/  
 File: interface.kicad\_sch

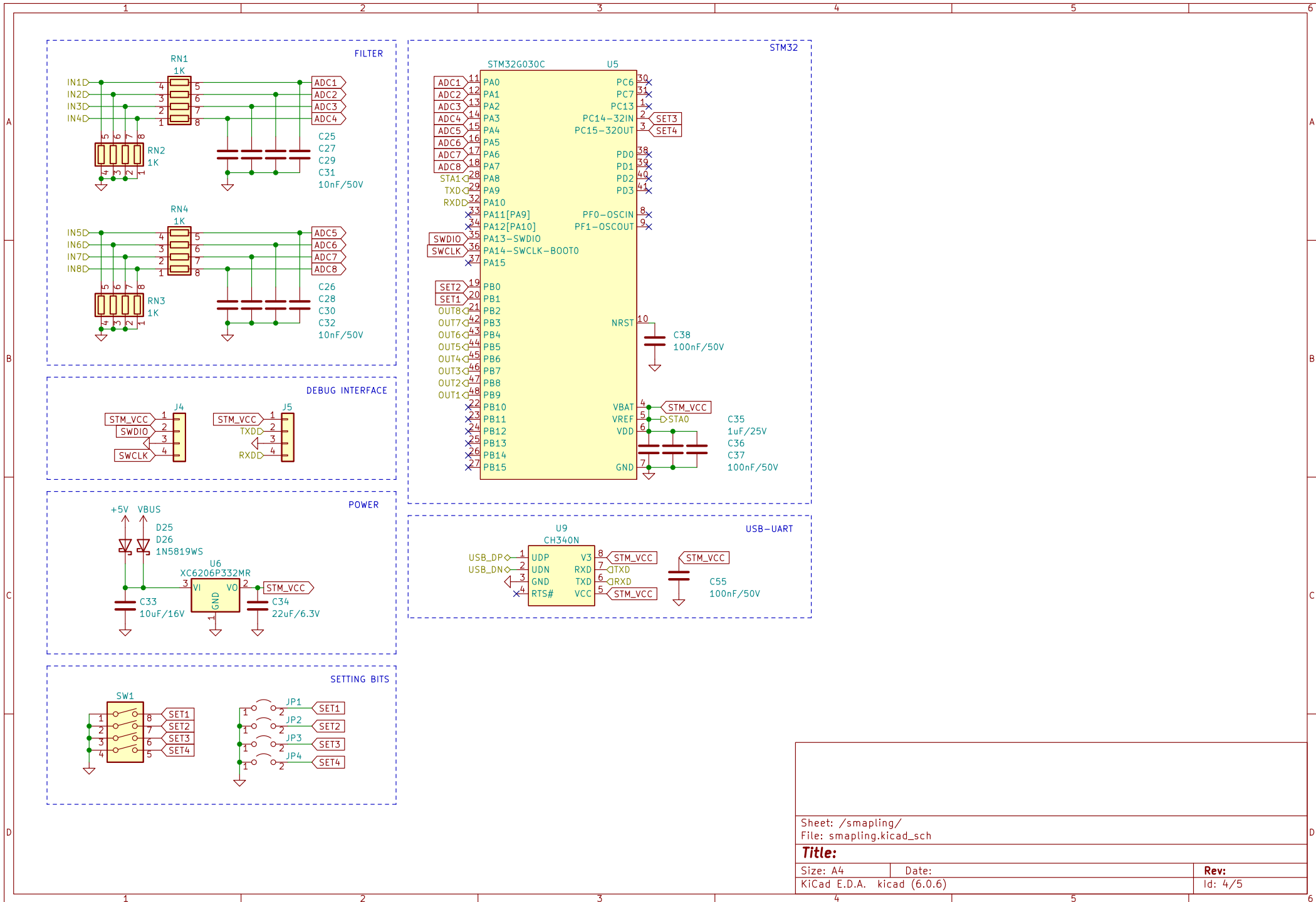
**Title:**

Size: A4  
 KiCad E.D.A. kicad (6.0.6)

Date:

Rev:

Id: 4/5



Sheet: /smapling/  
File: smapling.kicad\_sch

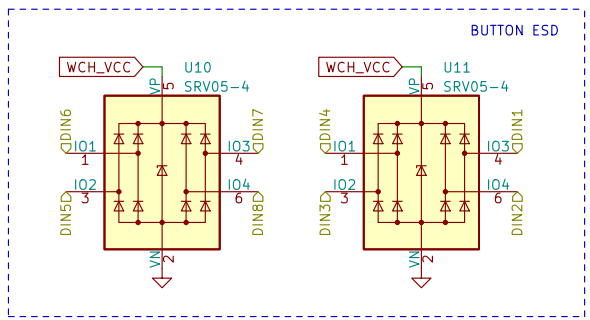
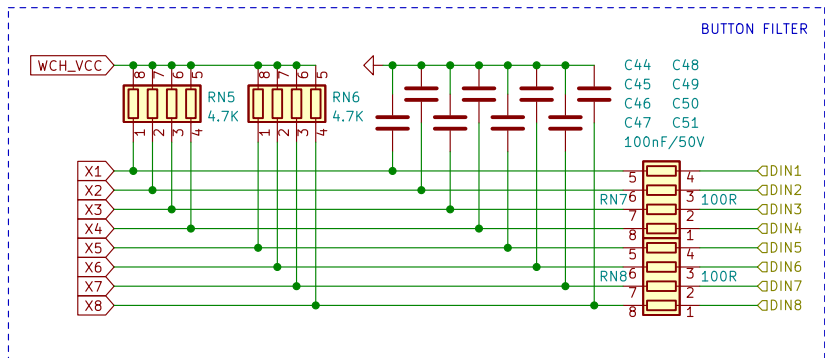
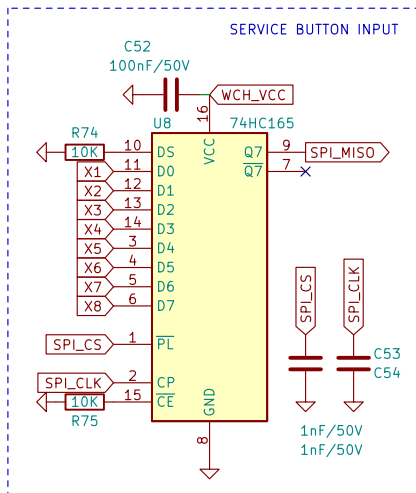
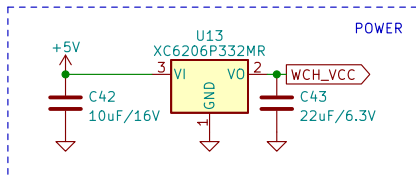
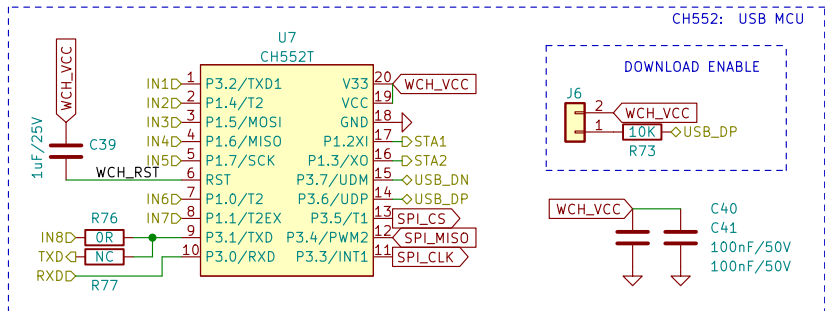
**Title:**

Size: A4  
KiCad E.D.A. kicad (6.0.6)

Date:

Rev:

Id: 4/5



Sheet: /usb_mcu/	
File: usb_mcu.kicad_sch	
<b>Title:</b>	
Size: A4	Date:
KiCad E.D.A. kicad (6.0.6)	Rev: Id: 5/5