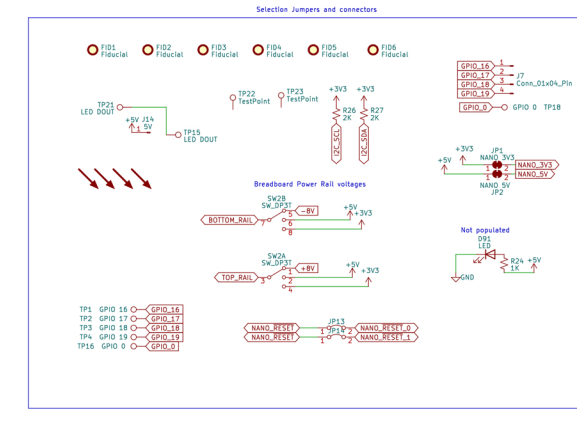
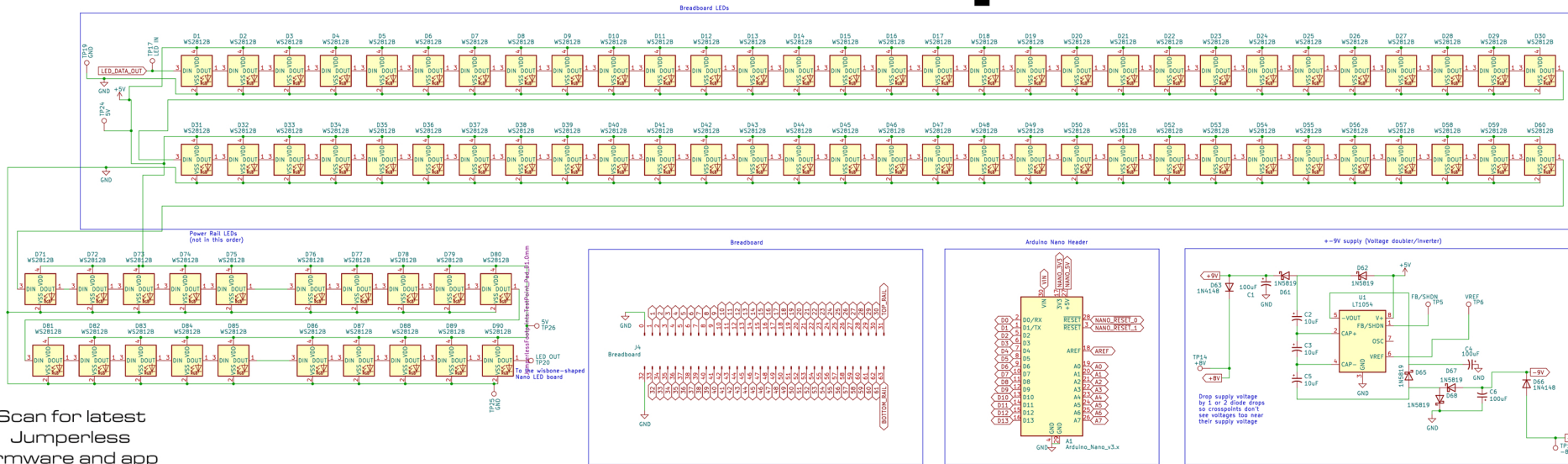


Jumperless

Schematic Revision 3.1



Kevin Santo Cappuccio

KevinC@ppucc.io

11/11/2023

OSHW US002417

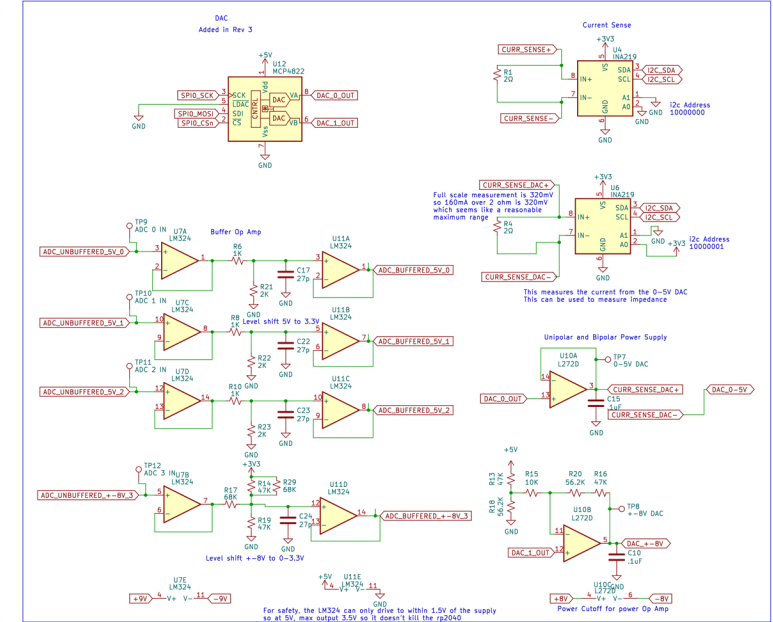
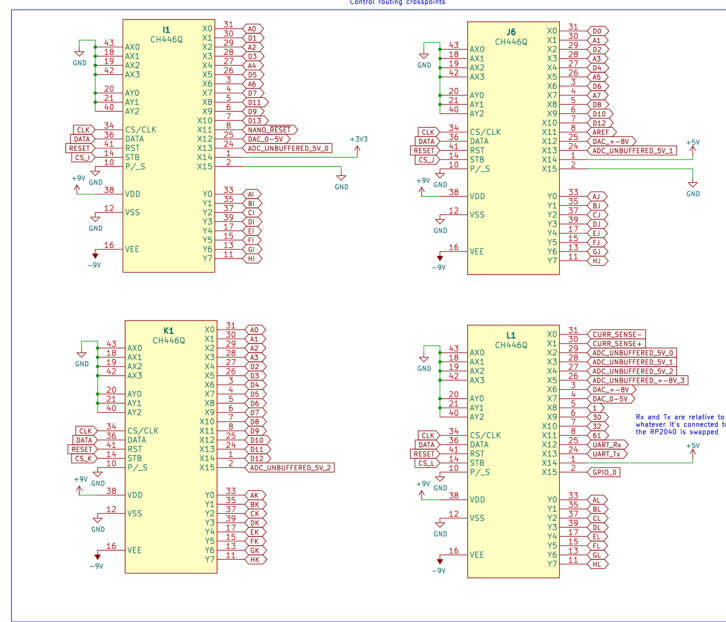
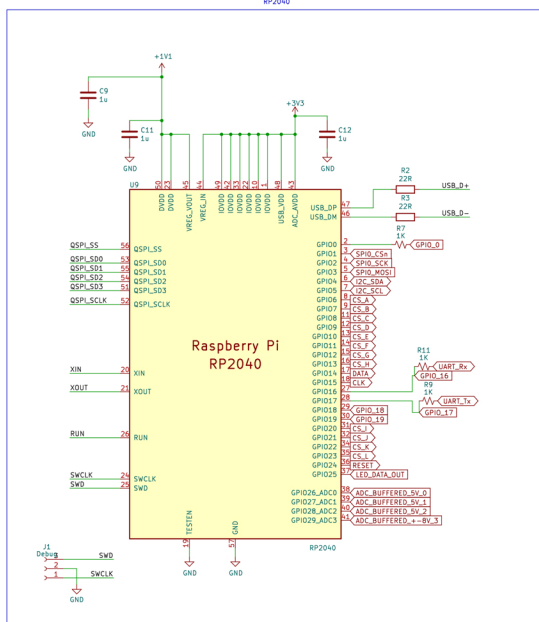
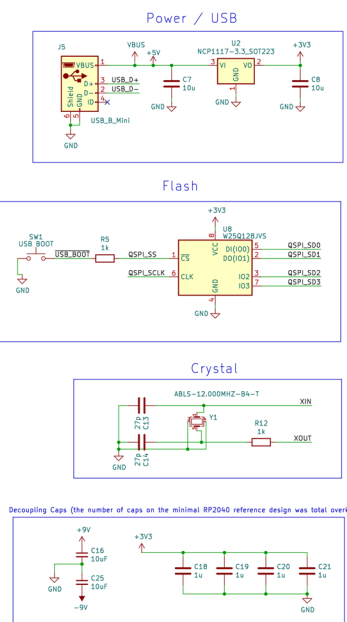
Open Source Licenses

Hardware CERN-OHL-W-2.0

Software MIT

Documentation CC-BY-4.0

Scan for latest Jumperless firmware and app



Using your Jumperless

