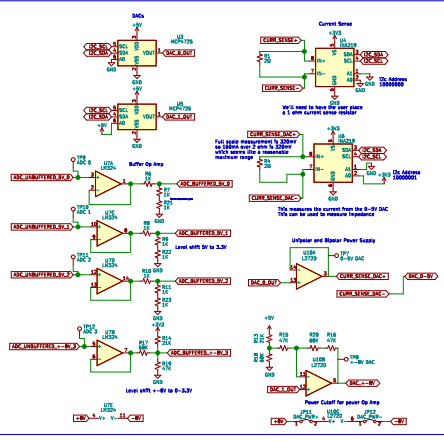
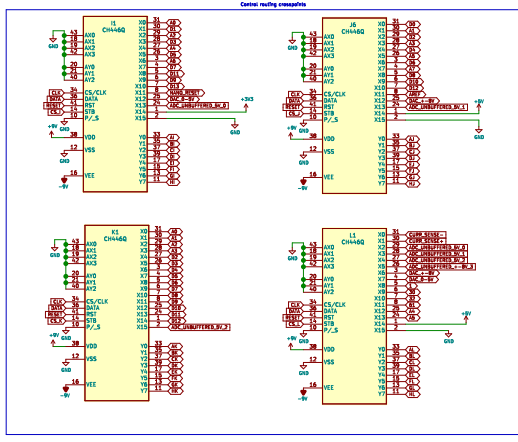
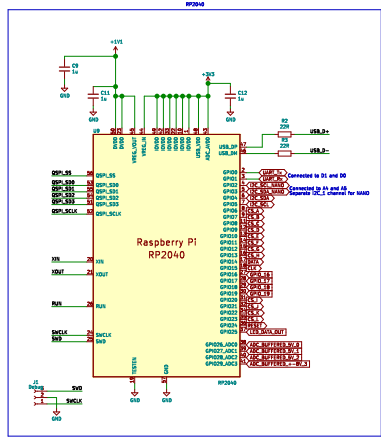
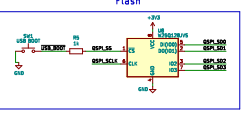
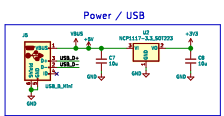
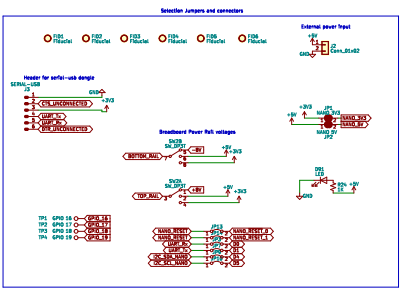
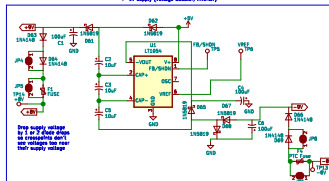
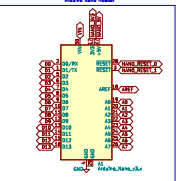
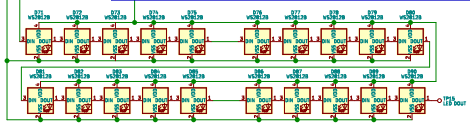
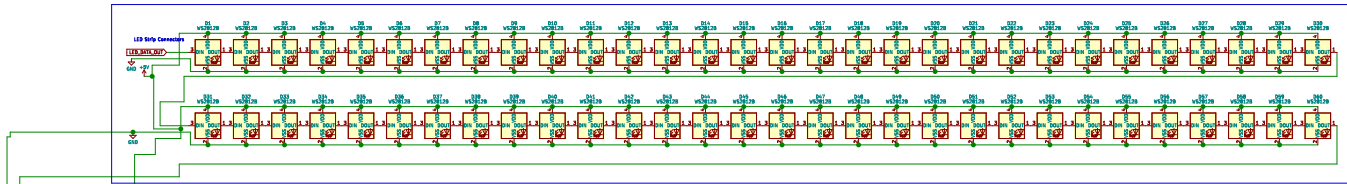


Headboard L2S (DIN will actually be on a separate PCB as it can fit under the breadboard)



Crosspoint switch matrix

