

SERVICE MANUAL



2011 FIESTA EX Ver 1.0



ISSUE DATE: Apr. 01, 2011



- ▶ Please read the manual carefully and keep it in mind before using this machine.
- ▶ Put this manual within touch of your reference in anytime.

PRECAUTIONS FOR USE

The following safety precautions are given throughout this manual. They must be strictly followed to protect those who install, use or maintain this product as well as to protect players, visitors and property.

For safety reasons.

- The following suggestions should be adhered to:



WARNING
Disregarding could result in serious injury.



CAUTION
Disregarding could result in injury or product damage.

- The following graphic suggestions describe the types of precautions to be followed.



Indicates a care should be taken.



Forbidden.



Indicates a matter which must be performed.

- **Precautions to be followed:**

Certain procedures require a qualified in-shop maintenance person or industry specialist. For such instructions, a qualified person must take care of the jobs.

- Otherwise an electric shock, machine trouble, or a serious accident may result.
- Replacing the machine parts, inspecting and maintaining the machines, and troubleshooting must be assigned only to a qualified in-shop maintenance person or industry specialist. This booklet gives instructions that hazardous jobs in particular must be handled by an industry specialist. Qualified in-shop maintenance person and industry specialist are defined as follows.

Qualified in-shop maintenance person

- A service staff shall have experience in operations of game machines. The staff shall be responsible for assembly, installation, inspection and maintenance of the machine.

Industry specialist

- An industry specialist must be engaged in designing, manufacturing, inspecting and servicing amusement machines. He or she must have an education in electrical, electronic and mechanical engineering, and routinely maintain and repair amusement machines.

PRECAUTIONS FOR USE

WARNING

Be sure to consult an industry specialist when setting up, moving or transporting this product.

- This product should not be set up, moved or transported by any one other than an industry specialist.
- When installing this product, set the 4 leg levelers evenly on the floor and make sure that the product is installed stably in a horizontal position. Unstable installation may result in injury or accident.
- When installing this product, do not apply undue force on movable parts. Otherwise, injury and accident may result, or the product may be damaged.

The machine for indoor usage only does not install outside.



Do not set the game machine up near emergency exits.



Protect the game machine from:

- Rain or moisture.
- Direct sunlight.
- Direct heat from air-conditioning and heating equipment, etc..
- Hazardous flammable substances.
- Otherwise an accident or malfunction may result.



Do not place containers holding chemicals or water on or near the game machine.



Do not place objects near the ventilating holes.



Do not bend the power cord by force or place heavy objects on it.



Never plug or unplug the power cord with wet hands.



Never unplug the game machine by pulling the power cord.



CAUTION

Be sure to use indoor wiring within the specified voltage requirements. For extension cord, use the specified rating or more.

Be sure to use the attached power cord.

Never plug more than one cord at a time into the electrical receptacle.



Do not lay the power cord where people walk through.



Be sure to ground this product.



Do not exert excessive force when moving the machine.




For proper ventilation, keep the game machine 100mm(4") away from the walls.

Do not alter the system related dipswitch settings.

PRECAUTIONS FOR USE

WARNING

If there is any abnormality such as smoke, bad smell or abnormal noise being emitted from the machine, immediately turn OFF the main power switch and unplug the power cord from the receptacle to stop operating it. 

- Using the machine in abnormal conditions could result in fire or accidents.

In case of abnormality

1. Turn OFF the main power switch.
2. Unplug the power cord from the receptacle.
3. Contact your nearest dealer.

Do not leave the power cord plugged in improperly or covered with dust. 

- Doing so could result in the power cord becoming damaged periodically.


CAUTION

Do not use this product anywhere other than industrial areas. 

- Using in a residential area or an area next to a residential area could affect signal reception of radios, television sets, telephones, etc..
- Do not give shock to the surface of glass products.

- Please do not play this game if
 - When you do drinking;
 - When your physical condition is not normal;
 - When you are in pregnancy;
 - When you have on a pulse controller;
 - When you have recently experienced a cramp or fainting away while watching TV.
- Avoid excessive force/shock while playing/moving the game.
- While doing games, pay attention to surrounding.

Do not plug or unplug the power cord with wet hands. 

In handling the power cord, follow the instructions below. 

- | | |
|---|--|
| • Do not damage the power cord. | • Do not modify the power cord. |
| • Do not bend the power cord excessively. | • Do not twist the power cord. |
| • Do not heat the power cord. | • Do not pull the power cord. |
| • Do not bind the power cord. | • Do not stand on the power cord. |
| • Do not sandwich the power cord. | • Do not drive a nail into the power cord. |

If the power cord or power plug becomes damaged, stop using the machine immediately and ask your nearest dealer to replace the parts.

PRECAUTIONS FOR USE

WARNING

Be sure to turn OFF the main power switch and unplug the power cord from the receptacle before inspecting or cleaning the machine.



When replacing parts, be sure to use parts of the correct specifications. Never use parts other than the specified ones.



Opening inside the machine shall be done by machine specialist only as high electric current is being sent inside. For game machine with monitor, a care should be taken while opening its back door. If not, a damage to the inside parts or the monitor may occur.



If the sub power switch of the service panel is turned OFF without turning OFF the main power switch of the power supply unit, some parts in the units remain live. When opening the back door, be sure to turn OFF the main power switch and unplug the power cord from the receptacle.



Strictly refrain from disassembly and repair of parts which are not indicated in this manual, as well as settings and remodeling.



To clean the game machine, wipe it with a soft cloth dampened in a neutral detergent.

- Using thinner or other organic solvent or alcohol may decompose the material.
- Electrical shock or equipment failure could be caused by water entering the inside of the machine.

CAUTION

Components in the game are sensitive to vibrations and impact. Care should be used when moving and transporting the game machine.



Be sure not to let the machine tip over.

Before moving the machine, be sure to turn OFF the main power switch, unplug the power cord from the receptacle and remove the power cord from the machine.



Before moving take the machine, off the levelers and move it on the casters.

Avoid excessive force while moving the machine.

.....

PRECAUTIONS IN HANDLING

- When setting up, inspecting, maintaining, moving or transporting this product, follow the procedures and instructions set forth in this manual and perform such work safely.
- Do not set up, handle, inspect, maintain, move or transport this product under conditions equivalent to the condition of "WARNING" or "CAUTION" specified in this manual.
- If a new owner is to have this product as a result of transfer, etc., be sure to give this manual to the new owner.

CONTENTS

1. SPECIFICATION AND DIMENSION

- 1-1. DIMENSION
- 1-2. SPECIFICATION

[COMPONENTS]

2. INSTALLATION

3. STICKER LOCATION

[SERVICE PANEL BUTTON EXPLANATION]

4. PRODUCT CHARACTER

5. SETUP MENU

- 5-1. I/O TEST
- 5-2. SCREEN TEST
- 5-3. GAME SETTING
- 5-4. COIN SETTING
- 5-5. USB DRIVE
- 5-6. SOUND TEST
- 5-7. BOOKKEEPING MENU
- 5-8. STATISTICS MENU

6. TROUBLESHOOTING

- 6-1. PICTURE
- 6-2. BUTTON
- 6-3. STEP SENSOR
- 6-4. STEP LED
- 6-5. COIN SELECTOR
- 6-6. USB ON/OFF
- 6-7. LAMP
- 6-8. SOUND

7. REPLACEMENT METHOD OF CONSUMABLE PARTS

- 7-1. BILLBOARD FRONT SHEET
- 7-2. BILLBOARD LAMP

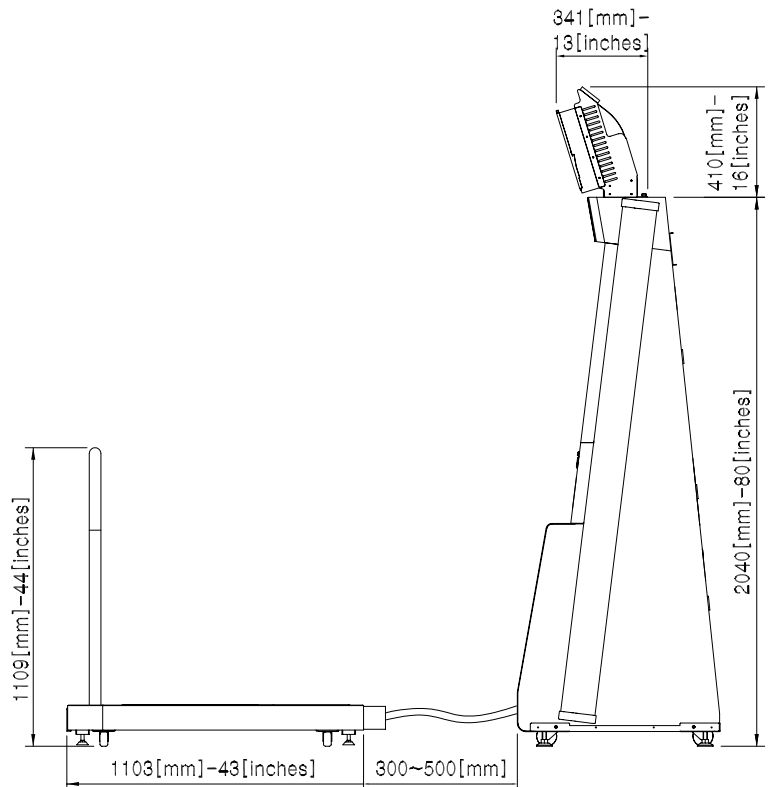
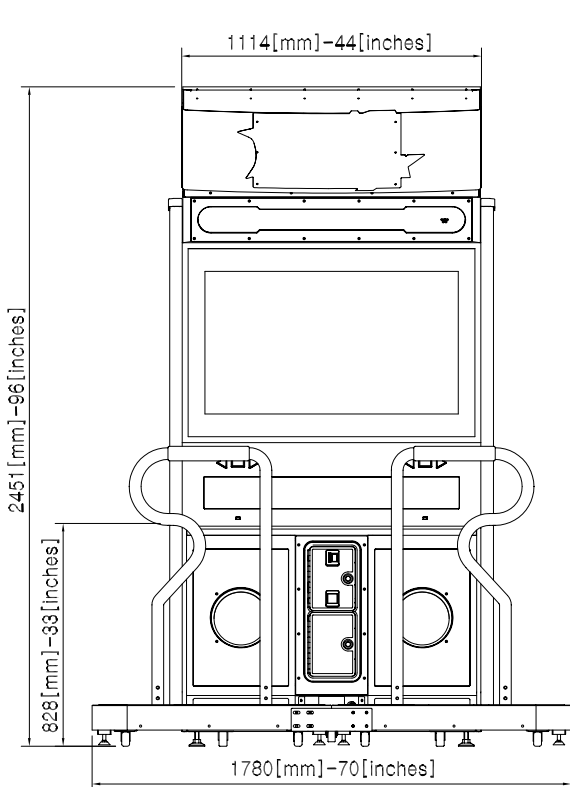
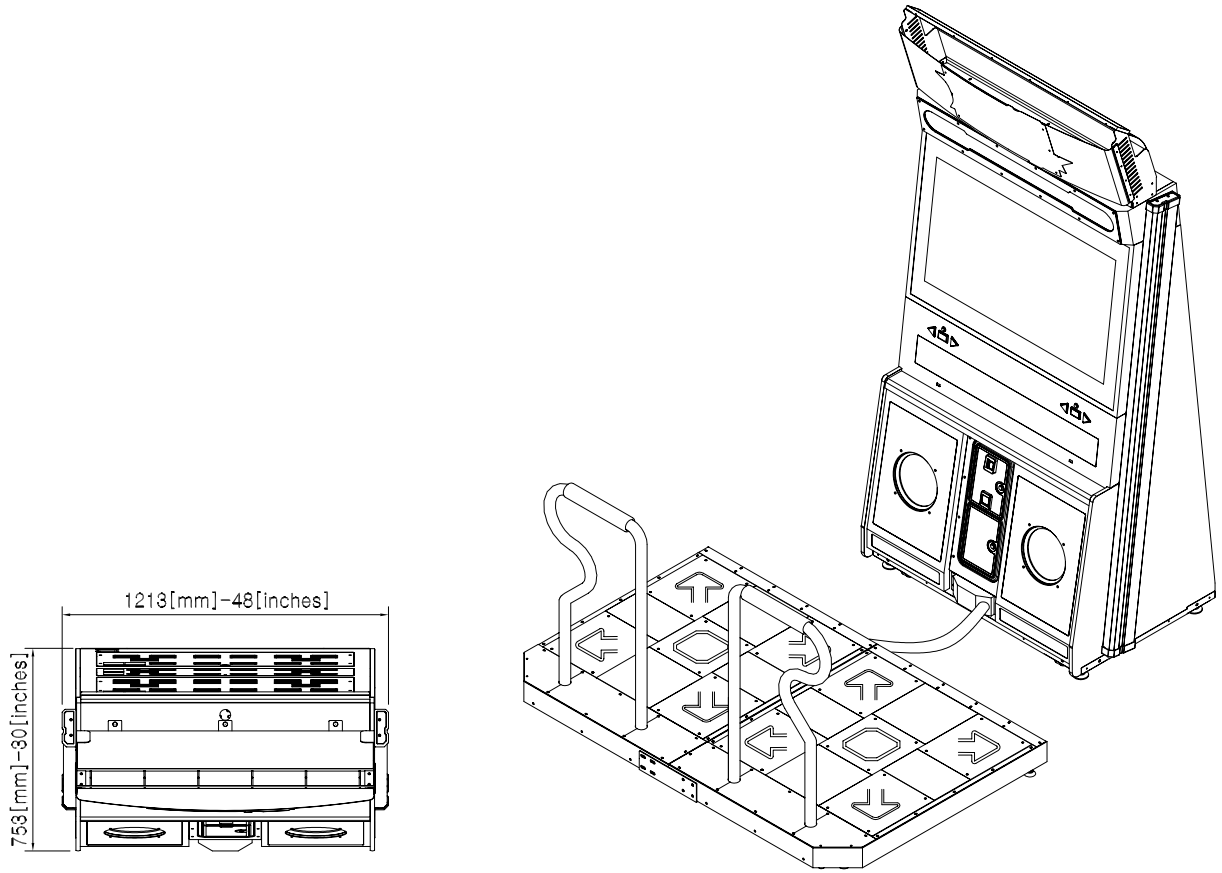
8. PART LIST

- 8-1. EXPLODED VIEW
- 8-2. LIST
- 8-3. PICTURE

9. WIRING DIAGRAM

1. SPECIFICATION AND DIMENSION



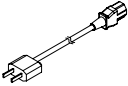









1-1. DIMENSION



1-2. SPECIFICATION

DIMENSION (W x D x H)	BODY	1213 x 753 x 2451 (mm)	
	STEP	1780 x 1103 x 93 (mm)	
PACKING DIMENSION (W x D x H)		1400 x 900 x 2170 (mm)	
WEIGHT (kg)	BODY	225 kg	
	STEP	135 kg	
SCREEN SIZE		PDP 42"	
POWER RATED VOLTAGE RANGE		AC 110V / AC 220V	
POWER RATED FREQUENCY RANGE		50 Hz ~ 60 Hz	
CONSUMPTION		110V	220V
TOTAL		600 W	600 W

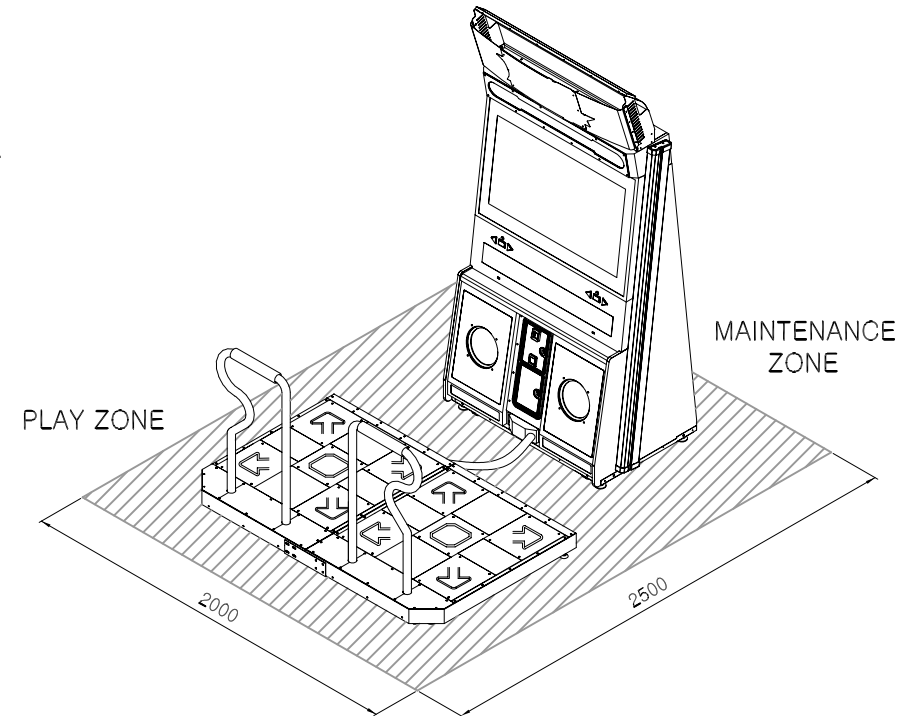
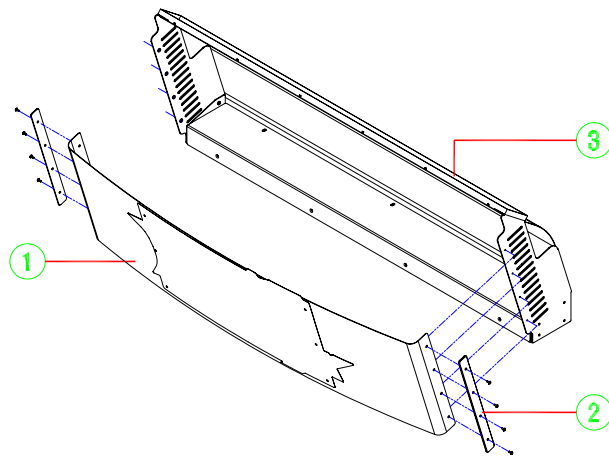
COMPOENTS

NO.	PART NAME	SPEC.		QTY
1	CASH BOX KEY	6001		2
2	FRONT DOOR KEY	7001		2
3	AC POWER CORD	110V or 220V		1
4	WIRING	-		1
5	CONNECTOR BRACKET-[STEP]	-		1
6	JOINT BRACKET	-		2
7	STEP STICKER	-		1
8	RENCH	5mm, 6mm, 8mm		Each 1
9	RENCH BOLT	M8x15L		18
10	RENCH BOLT	M10x16L		20
11	BOLT	M4x25		8
12	BOLT	M6x20		4
13	WASHER	M10, M8		20,18
14	SPRING WASHER	M10		20
15	PDP REMOTE CONTROL	-		1
16	PDP MANUAL	-		1
17	PRODUCT MANUAL	-		1

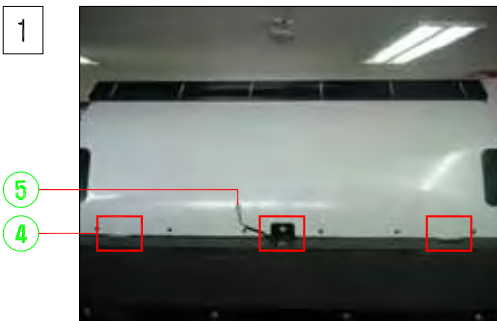
2. INSTALLATION

- Need to have installation place.
Maintenance Zone & Play zone should have at least 2000mm x 2500mm each.

[INSTALLATION] – BILLBOARD



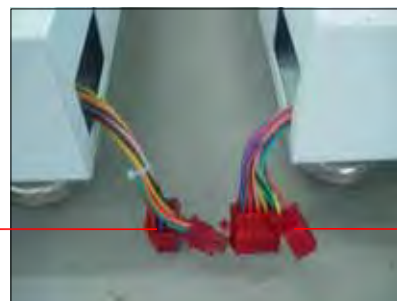
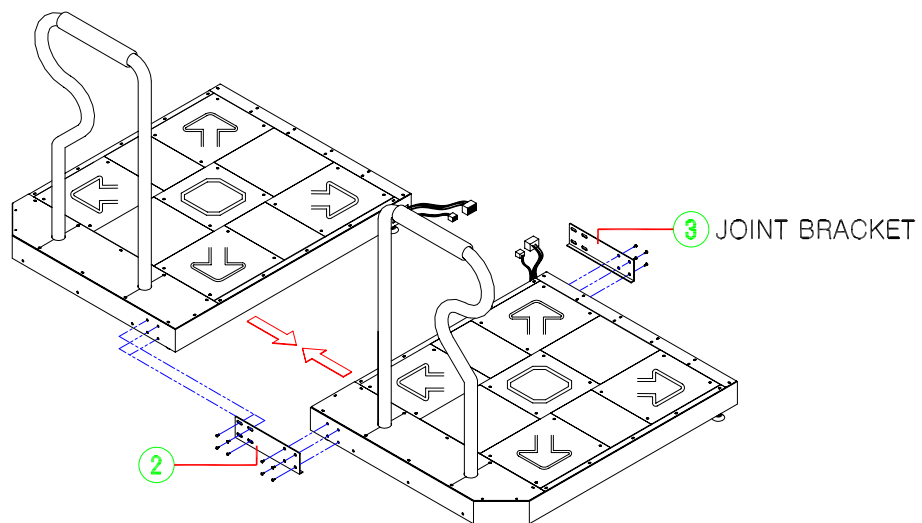
- ① BILLBOARD SHEET ASS'Y ② BILLBOARD SHEET FIX and shown to
After combining, M4 bolts to assemble on the ③ BILLBOARD CASE.



- BILLBOARD CASE ASS'Y from the body, then, ④ as HAND BOLT [Bolt M4x 3ea] is using a combination.
- ⑤ CONNECTOR [body] and is connected to the BILLBOARD CASE ASS'Y.

- STEP

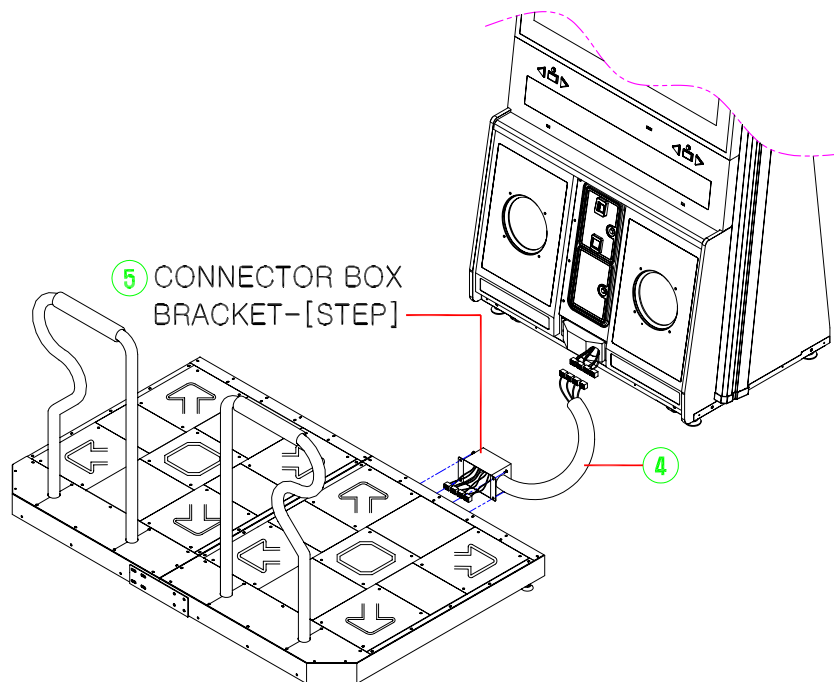
4



PICTURE A

- As shown in Figure A left and right feet of the 1P and 2P is connected to the connector. M8 bolts to (2) (3) JOINT BRACKET (16 points) is fixed by.

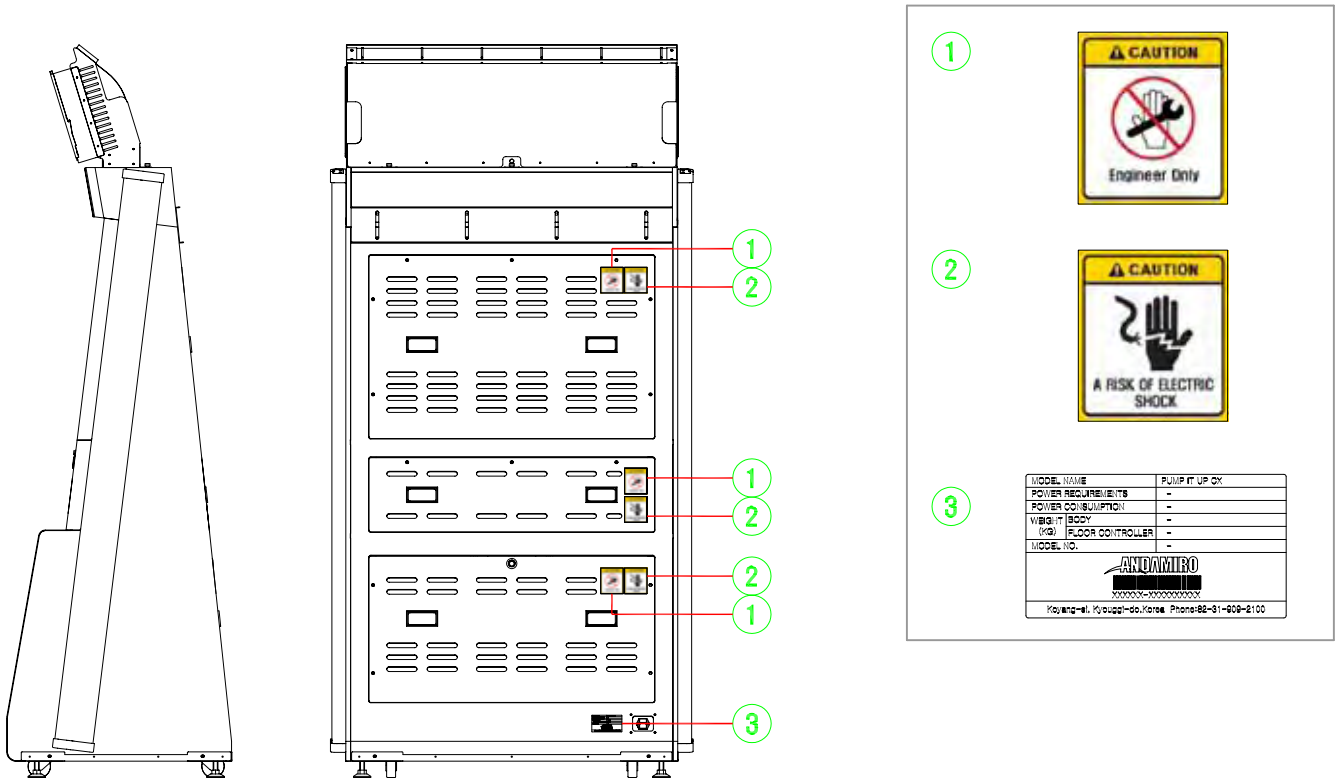
5



PICTURE B

- (4) FLEXIBLE TUBE is connected to the connector body and feet. Since, (5) CONNECTOR BOX BRACKET-[STEP] connection. Bolt M6 (4 points)

3. STICKER LOCATION



[SERVICE PANEL BUTTON EXPLANATION]

POWER S/W SERVICE-Select

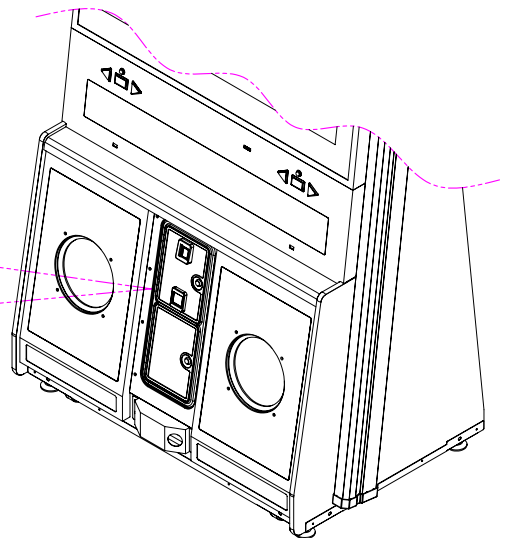


COUNTER

WOOFER TREBLE MASTER

TEST -

Menu movement
upward & downward



4. PRODUCT CHARACTER

4-1. ANYONE CAN EASILY PLAY THE GAME WITH AN INTUITIVE WAY

- The arrow to the music as a springboard to handle the output, intuitive gameplay can be as easy for anyone to be a dancer.

4-2. FANTASTIC DANCE STAGE

- Full of equipment around the spectacular lighting and giant screens to focus the attention of galleries and to express their views freely, the dance as a springboard to satisfy the senses of the player, play an active manner by focusing attention contributes to the activation of Parlors Can be.

4-3. FAITHFUL TO THE DANCE ITSELF, HOW MANY GAMES

- 5 feet, as well as using the single-mode, play mode, depending on your choice can play up to 2-3 persons. Peuleyui for freedom by one player with 10 feet of the player is equipped with a double-mode also suits the dance itself, a variety of solid free-play offers.

4-4. VOLUME OF THE LARGEST EVER TO DANCE GAME

- Featured Artist of the domestic and overseas sources familiar with pop music, covering genres such as the pump does not own original music composition and sound of hundreds of mounted, offers a variety of configurations to mount the top step of the thousands of volumes and satisfaction, is proud of.

4-5. ENCOMPASSING CONFIGURATION, FROM BEGINNER TO ENTHUSIAST USERS

- Pump It-ups for beginners who are new to the game enthusiasts are familiar landmark configurations to meet all the players in the game the way the player's skill level by providing easy for even novice users to familiarize particular can play.

4-6. USB PERSONAL DATA STORAGE MOUNT

- Players can save the game, PumBi network management system to their own records, the world's players and their skills can compete.

5. SETUP MENU

Setup the machine proper for your own game center.

Service Options

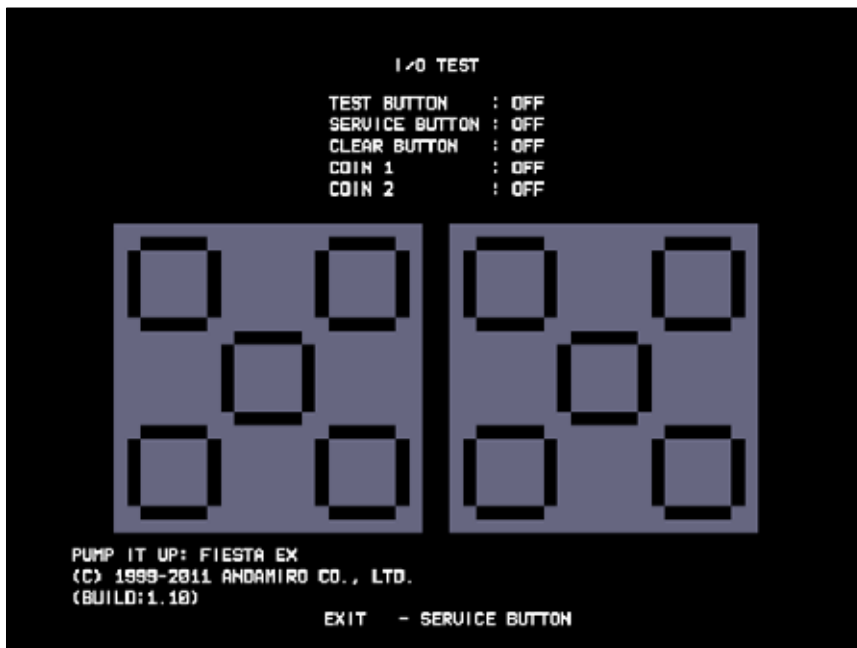
Test the hardware and set options before using the game.

Press the "Test" button (O TEST) located in the service box at any time.
The Service Options menu will appear.



5-1. I/O TEST

You can test pad sensors and lamps and buttons located on the body of the machine.



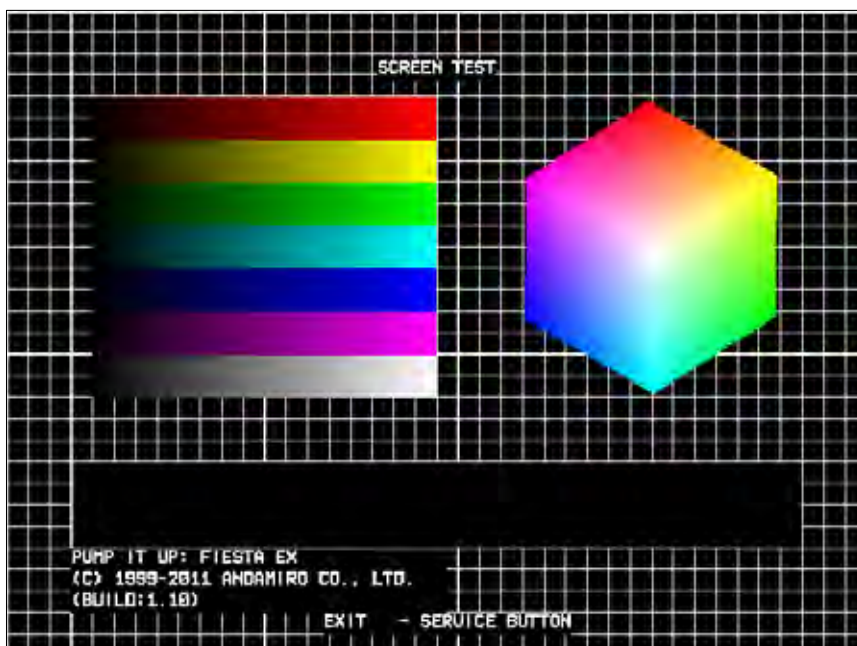
1. Press the "Test" button (O test) to enter I/O TEST in SET UP MENU.
2. Press each button in order to check each button function. If it is normal, "OFF" on the screen is changed to "ON".

"If it does not work well, contact the service center for advice or repair."

3. Press the "Service" Button(O service) to exit from I/O TEST.

5-2. SCREEN TEST

Check out the status of monitor screen.



1. Press the "Test" button (O test) to enter SCREEN TEST in SET UP MENU.

"If color and linearity of latticed pattern is not normal, contact the service center for advice or repair."

2. Press the "Service" Button(O service) to exit from SCREEN TEST.

5-3. GAME SETTING

Set the degree of game difficulty and stage option.

1. Press the "Test" button (O test) to enter GAME OPTION in SET UP MENU and move the cursor to each GAME OPTION.
2. Press the "Service" button in order to change option of each GAME OPTION.



a. GAME MODE

Select "Normal" or "Event".

b. INITIAL LIFE

Please make a choice for player's initial life between "4" and "5".

c. LEVEL

Set the degree of difficulty of game.

The degree of difficulty is set in three steps, including Easy/Normal/Hard.

d. STAGE BREAK

Set up that a stage break is applied from which stage.

Available setting : OFF/Stages 1~4

d. DEMO SOUND

DEMO Sound ON/OFF

f. DEFAULT SETTING

Return to Factory Default Setting

g. EXIT

Exit to the game screen with saving the changed setting

5-4. COIN SETTING

You can set up number of coins for a credit.



1. Press the "Test" button (O test) to enter COIN OPTION in SET UP MENU and move the cursor to each COIN OPTION.
2. Press the "Service" button in order to set up number of coins for a credit.
3. COIN MODE
 - Set up a coin type you want to choose.
 - Available setting : COIN / CARD
4. COIN CLEAR
 - You can reset the coin counts remaining in the machine.

5-5. USB DRIVE



1. Press the "Test" button(O test) to enter USB DRIVE in SET UP MENU.
2. Player 1 menu and press the Service Button after inserting USB memory Stick into the 1P port of USB Cover BOX Ass'y.
3. Proceed the same steps for Player 2.

5-6. SOUND TEST

In order to achieve better sound track & sound effect.

You may check status of speaker & woofer, and adjust volume as well.



1. Move into sound test in setting mode. After Pushing Test(O test) button, please move a cursor to "Volume' or "Audio"
2. In order to adjust volume, please press "Service (O service) button in volume menu.
3. In order to choose a song. Please press "Service (O service) button in Audio menu.
 - The default volume is 80 to 50 to 95 can be adjusted.
 - It's not recommendable to adjust this value because it may damage woofer in case set volume become higher than default value.

5-7. BOOKKEEPING MENU

You can check the number of coins and service coins put into the machine.



1. Press the "Test" button (O test) to enter BOOKKEEPING in SET UP MENU and move the cursor to each BOOKKEEPING.
2. Press the "Service" button in order to make the record of BOOKKEEPING reset.

5-8. STATISTICS MENU

It indicates the number of the play on each song.

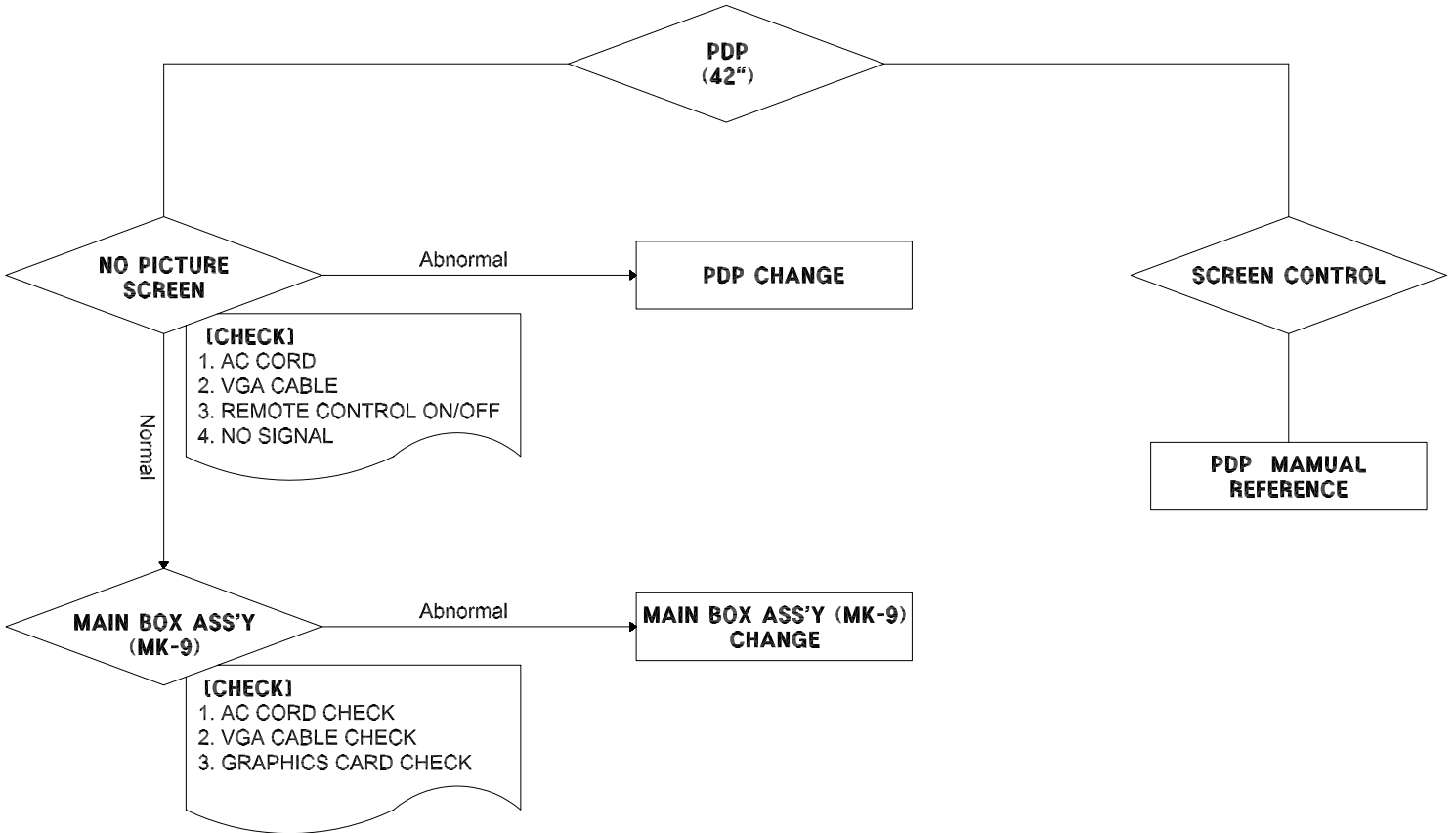


1. Press the "Test" button (O test) to enter STATISTICS in SET UP MENU. Keep pressing the "Test" button" to move the cursor to the end of the song list.

6. TROUBLESHOOTING

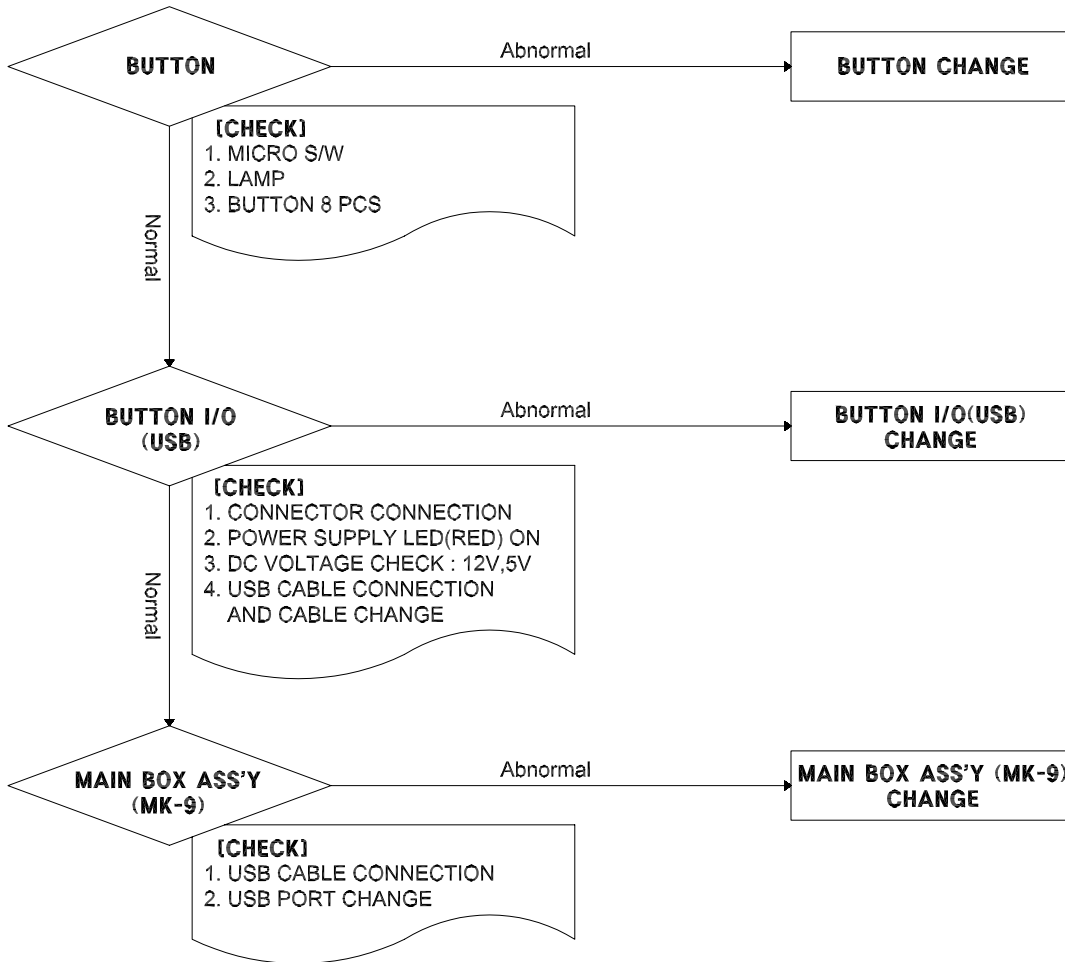
6-1. PICTURE

* COMMON : INPUT VOLTAGE CHECK
WIRING CONNECTION CHECK



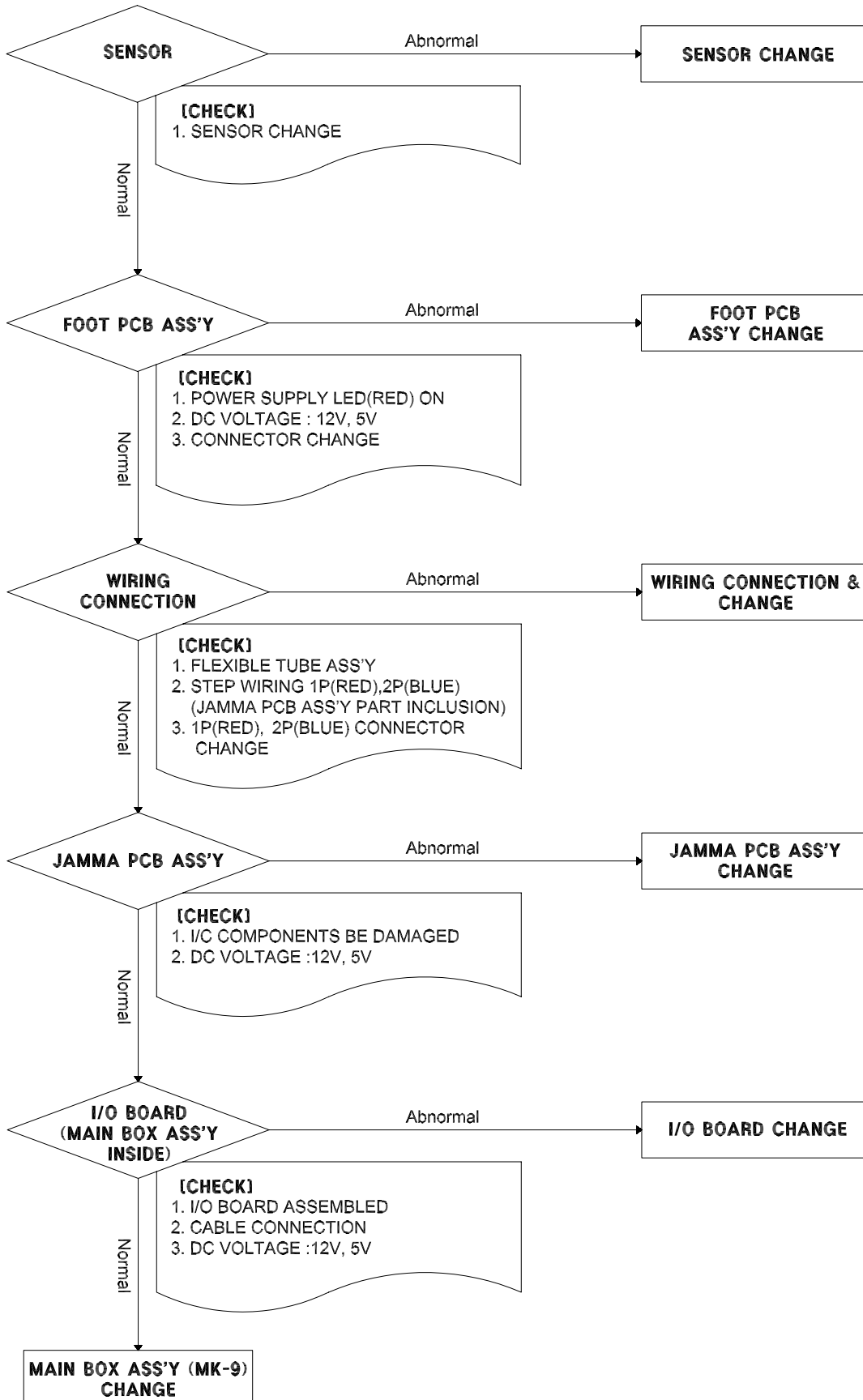
6-2. BUTTON

* COMMON : INPUT VOLTAGE CHECK
WIRING CONNECTION CHECK



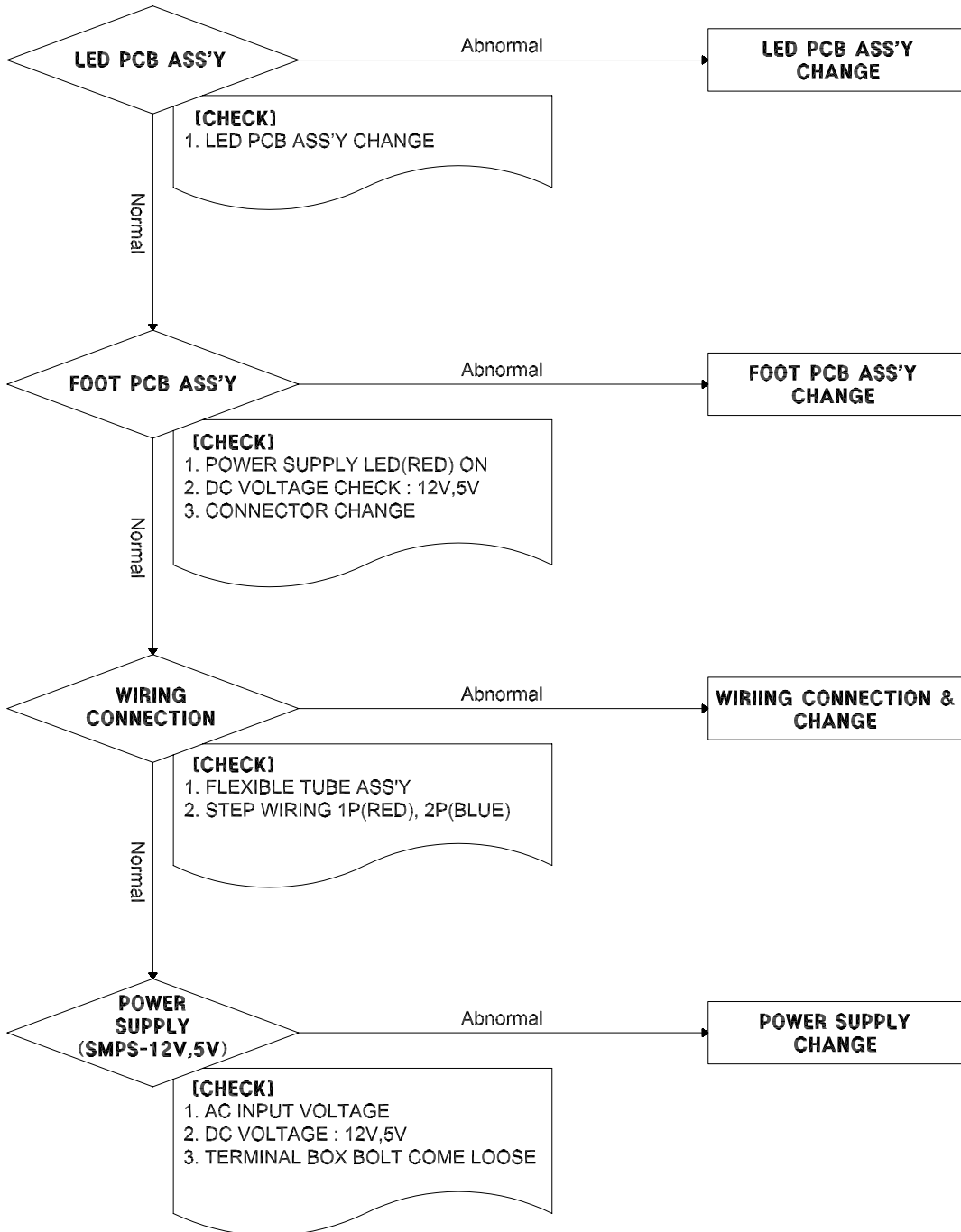
6-3. STEP SENSOR

* COMMON : INPUT VOLTAGE CHECK
WIRING CONNECTION CHECK



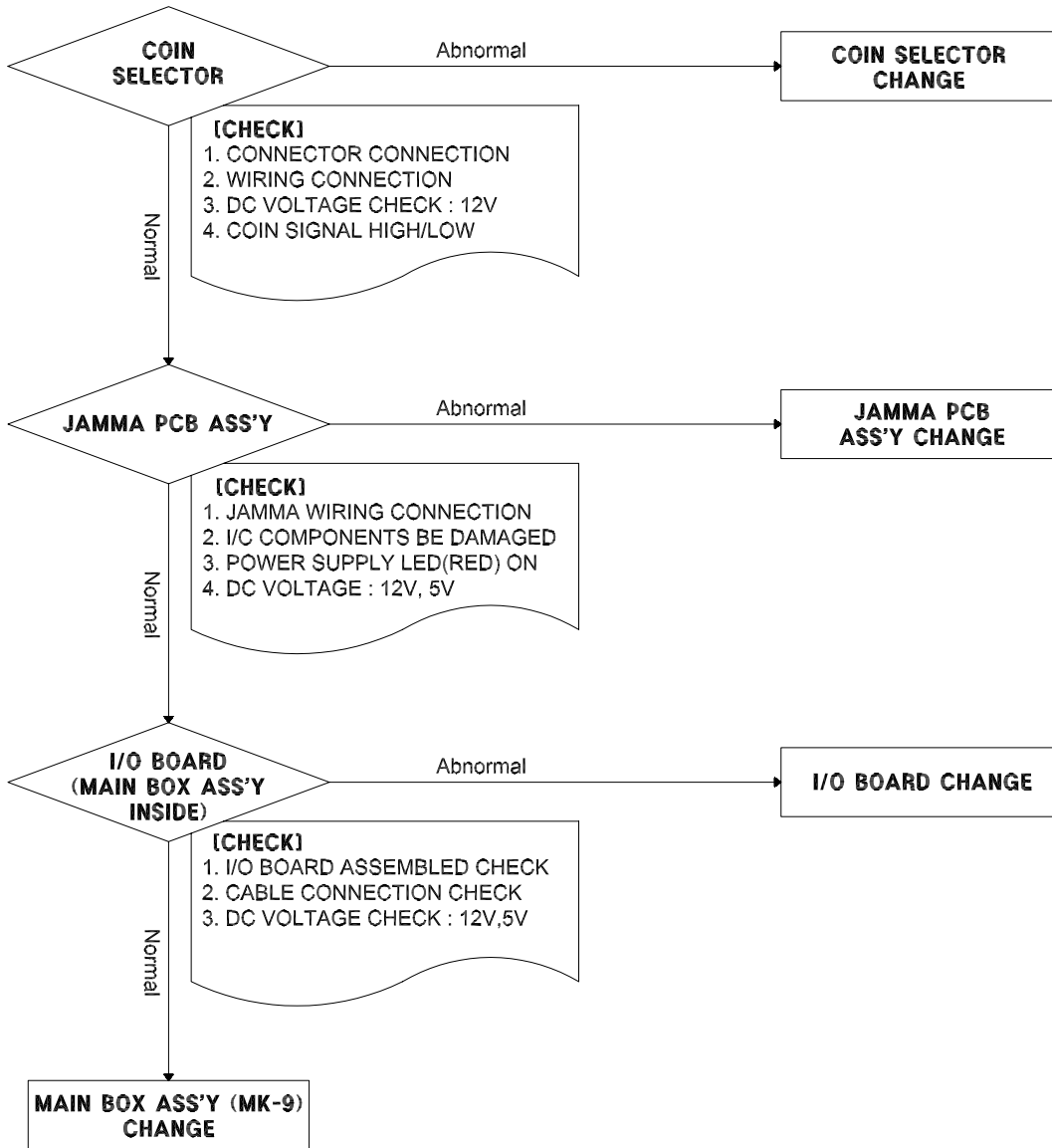
6-4. STEP LED

* COMMON : INPUT VOLTAGE CHECK
WIRING CONNECTION CHECK



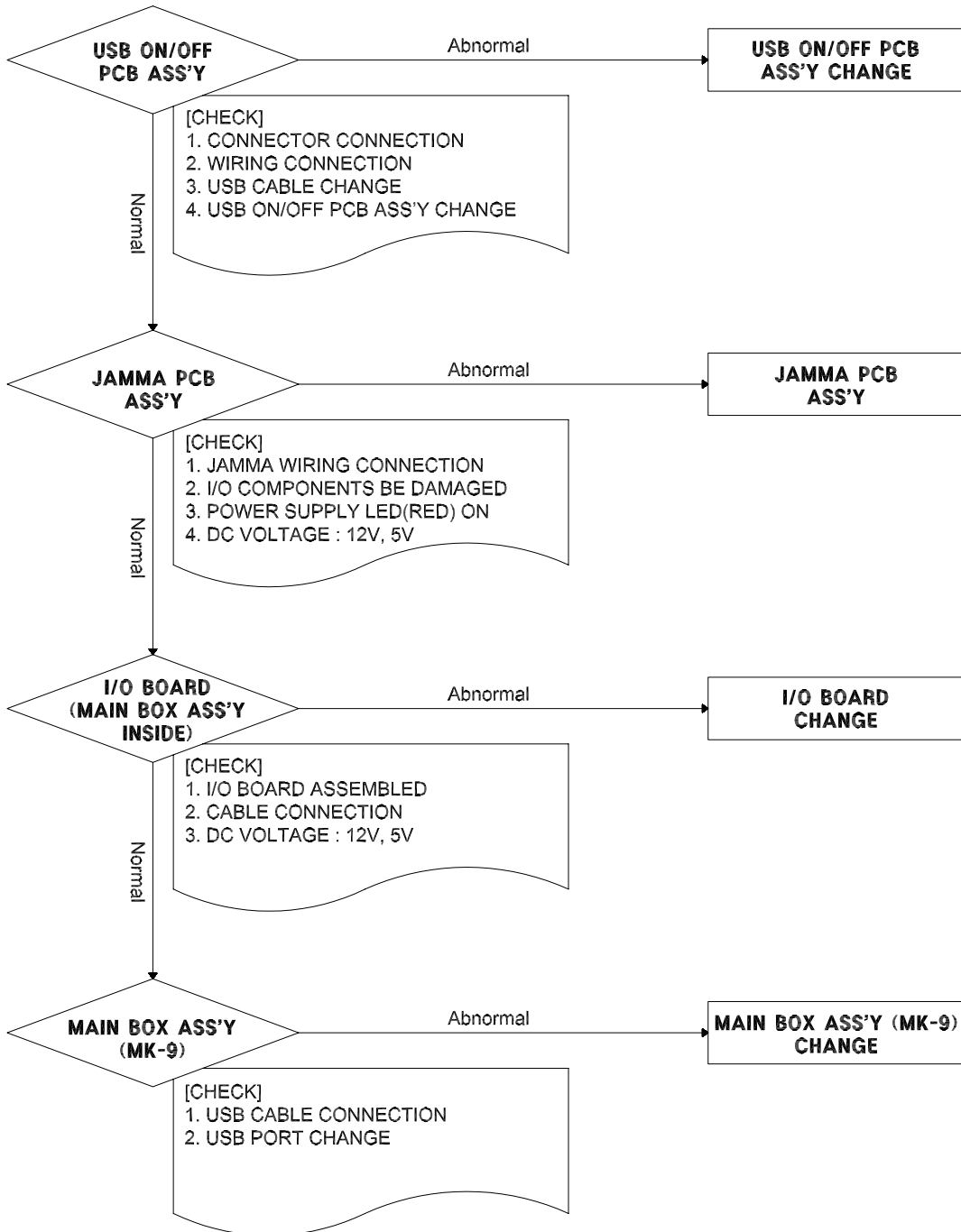
6-5. COIN SELECTOR

* COMMON : INPUT VOLTAGE CHECK
WIRING CONNECTION CHECK



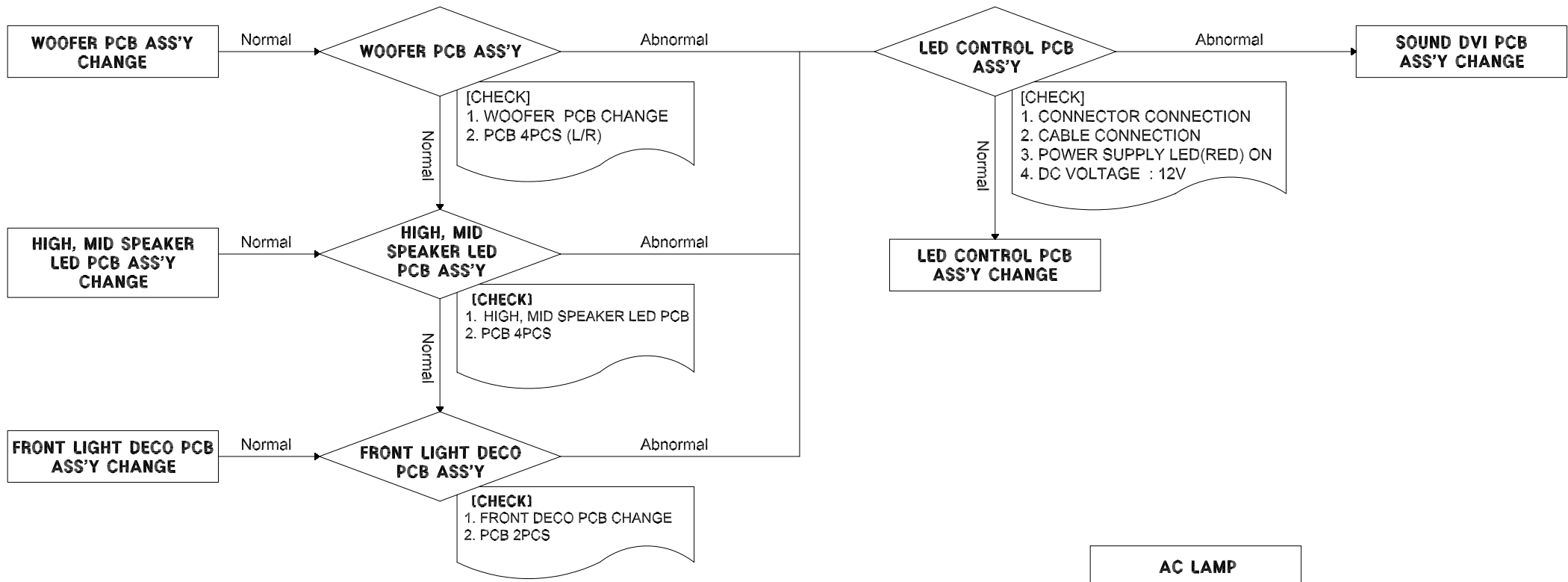
6-6. USB ON/OFF

* COMMON : INPUT VOLTAGE CHECK
WIRING CONNECTION CHECK

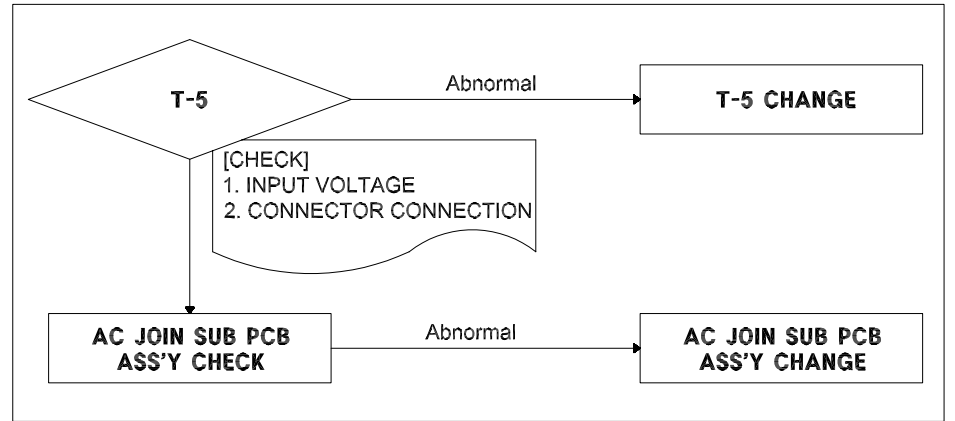


6-7. LAMP

* COMMON : INPUT VOLTAGE CHECK
WIRING CONNECTION CHECK

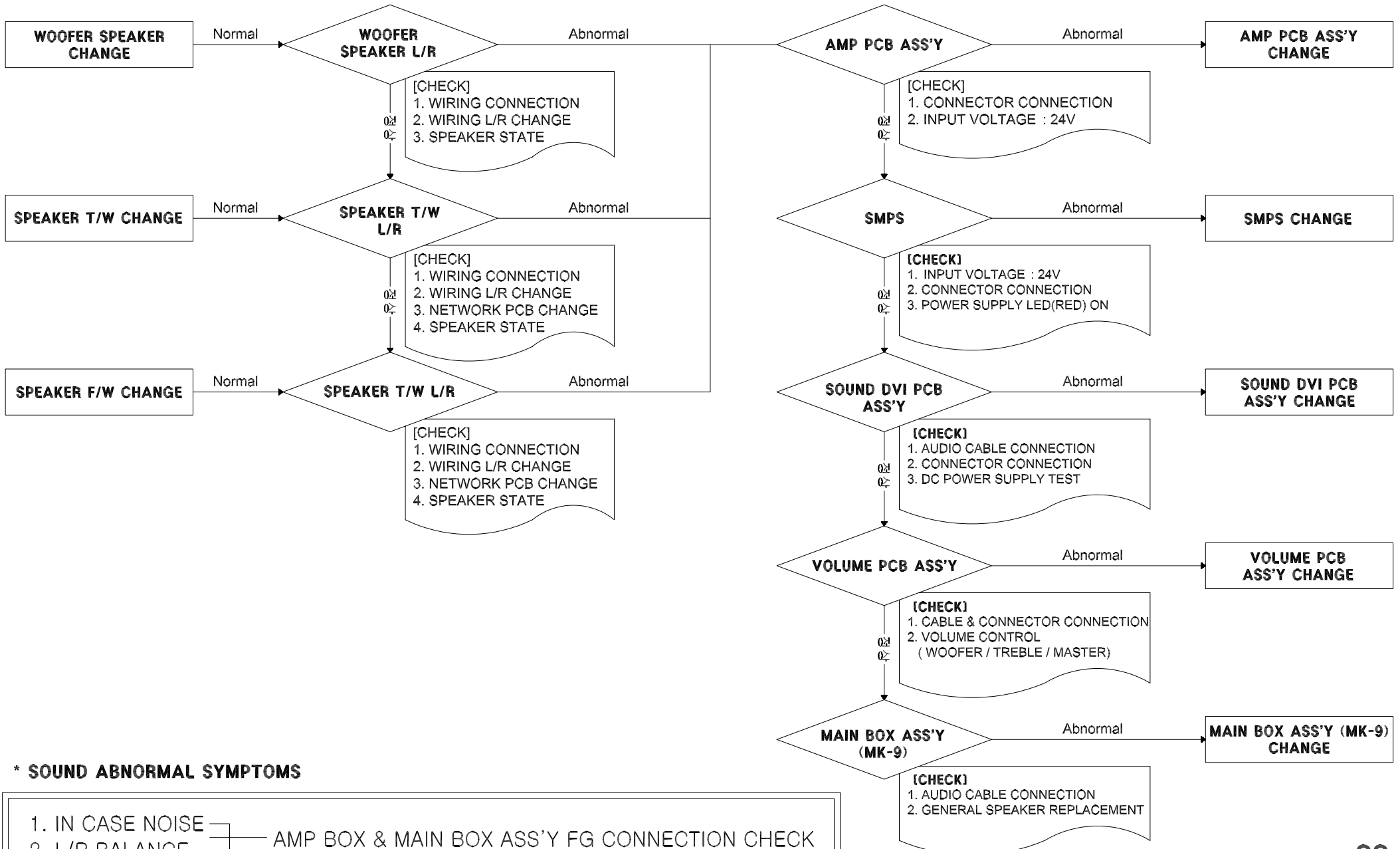


AC LAMP



5-8. SOUND

* COMMON : INPUT VOLTAGE CHECK
WIRING CONNECTION CHECK



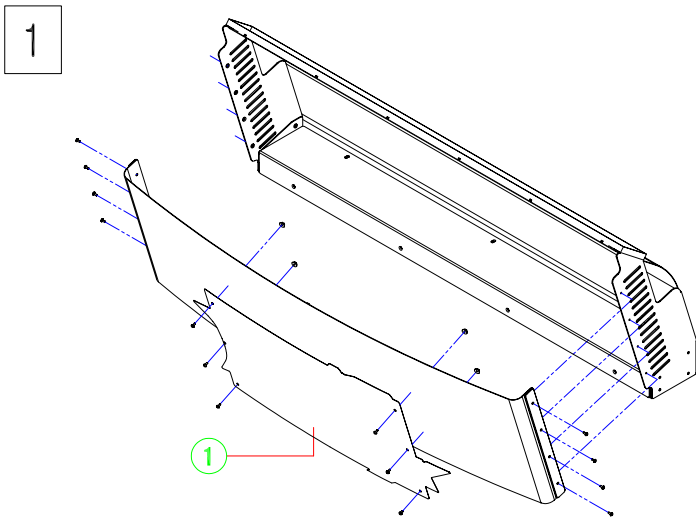
*** SOUND ABNORMAL SYMPTOMS**

1. IN CASE NOISE
2. L/R BALANCE

AMP BOX & MAIN BOX ASS'Y FG CONNECTION CHECK

7. REPLACEMENT METHOD OF CONSUMABLE PARTS

7-1. BILLBOARD FRONT SHEET



PICTURE A

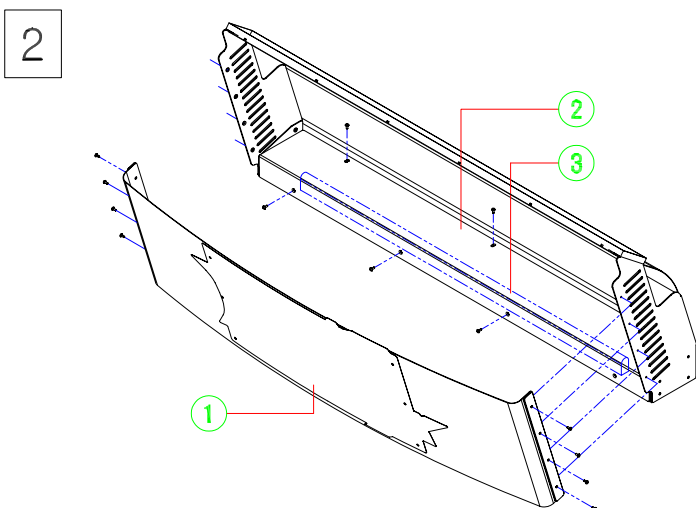


PICTURE B

- (1) As shown in Figure A billboard in the reverse order of installation is to disassemble
 ① BILLBOARD TITLE SHEET.
 (2) After replacing SHEET, Figure B is assembled in the same shape.

NO.	PART NAME	SPEC.	CODE NO.
①	BILLBOARD TITLE SHEET	PET-0.5t	MPCX0ACR007

7-2. BILLBOARD LAMP



PICTURE A



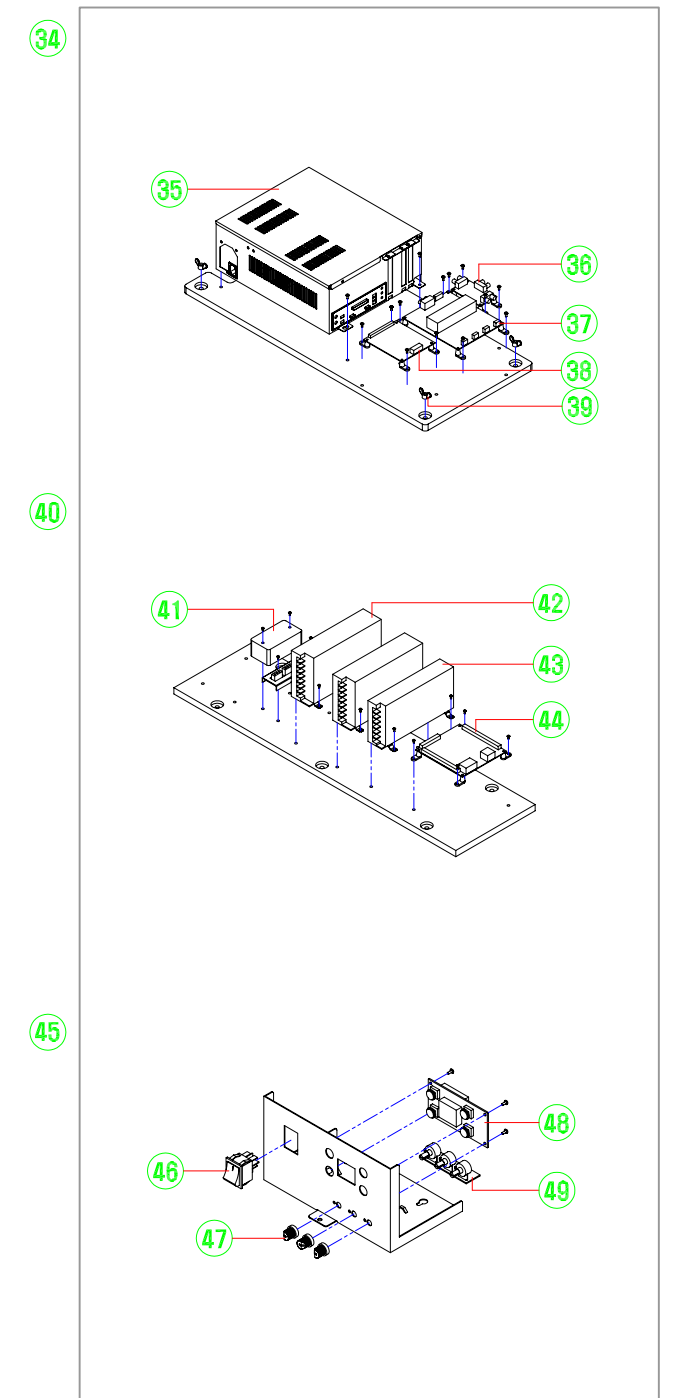
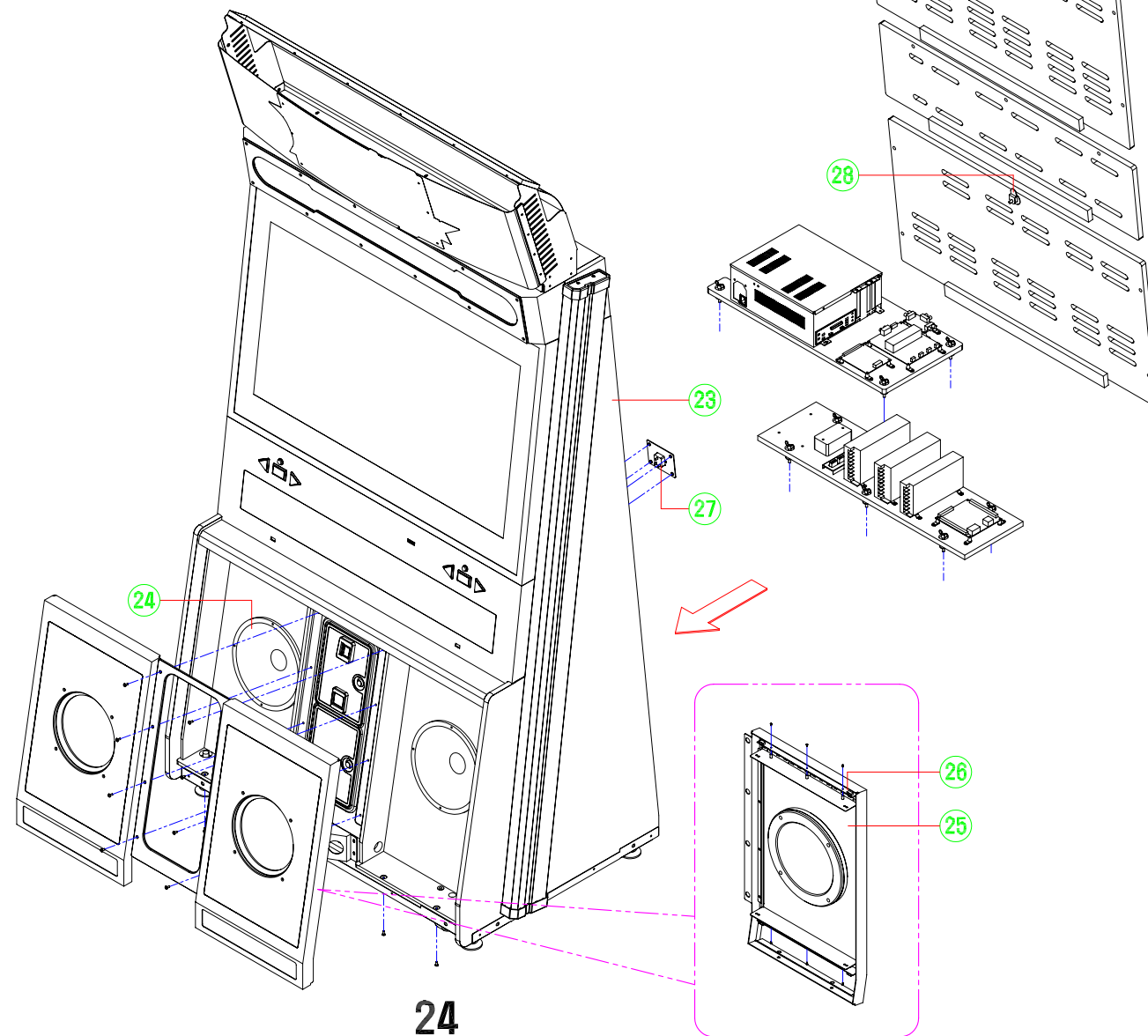
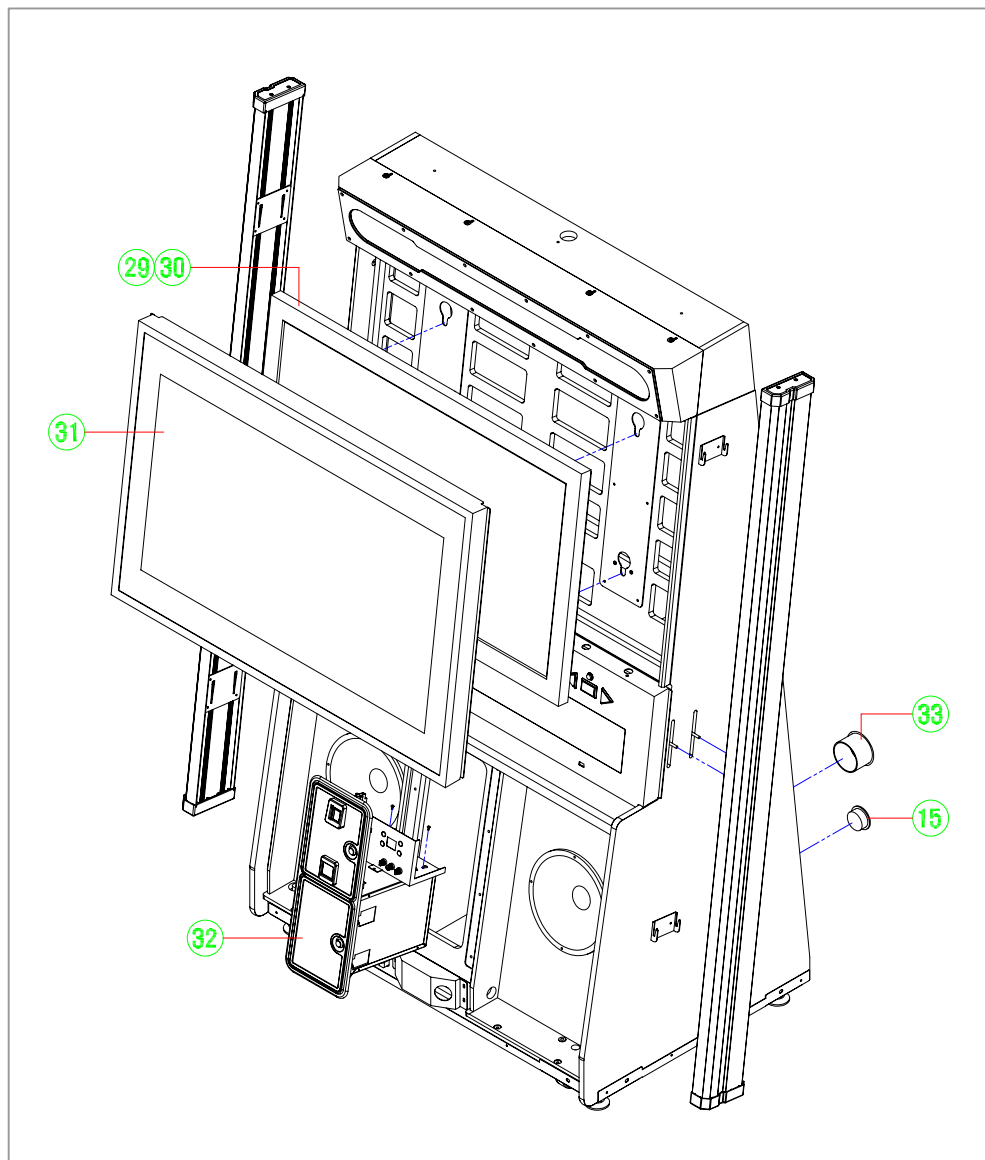
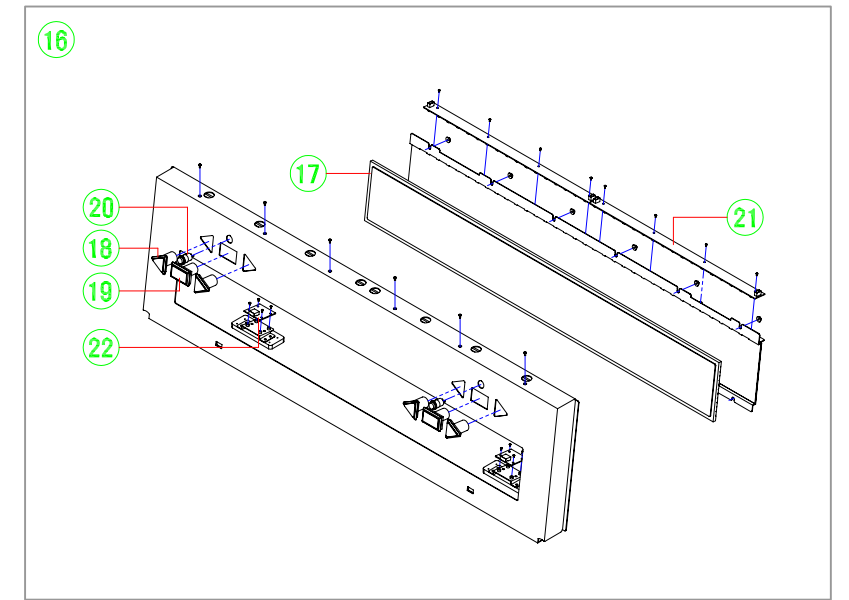
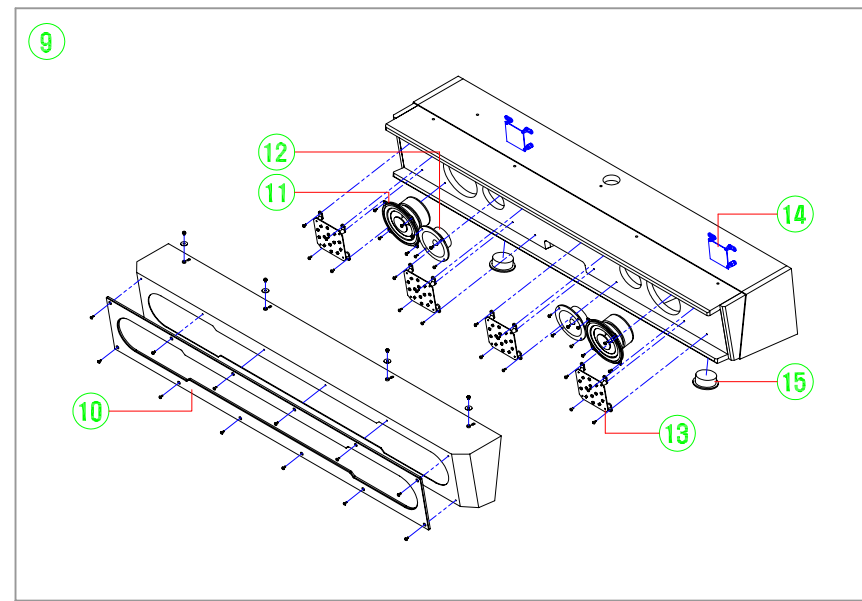
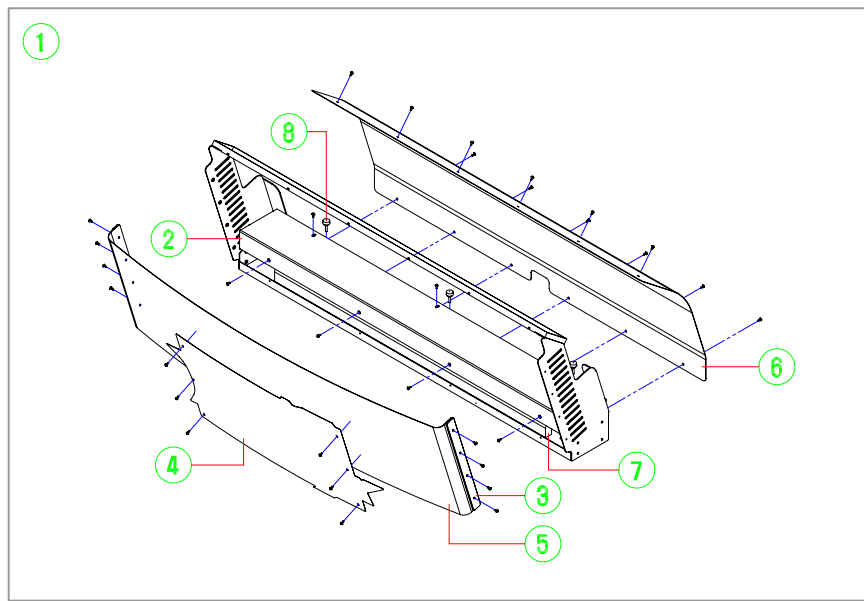
PICTURE B

- (1) As shown in Figure A ① BILLBOARD SHEET ② BILLBOARD LAMP COVER to disassemble.
 (2) Opening COVER, ③ LAMP is. After exchanging LAMP is assembled in the reverse order decomposition.

NO.	PART NAME	SPEC.	CODE NO.
①	LAMP	T5_220V 21W-백색	MELE0LAM049

8. PARTS LIST

8-1. EXPLODED VIEW



8-2. LIST

NO.	PIC	LEVEL	PART NAME	SPEC.	QTY	CODE NO.
1		1	BILLBOARD CASE ASS'Y			
2	○	2	BILLBOARD LAMP COVER	ACRYL-3.0t	1	MPCX0ACR001
3	○	2	BILLBOARD SHEET FIX	ACRYL-3.0t	2	MPCX0ACR004
4	○	2	BILLBOARD TITLE SHEET	PET-0.5t	1	MPCX0ACR007
5	○	2	BILLBOARD FRONT SHEET	PET-1.0t	1	MPCX0ACR003
6	○	2	BILLBOARD BACK SHEET	PET-1.0t	1	MPCX0ACR002
7	○	2	LAMP	T5_220V 21W-백색	1	MELE0LAM049
8	○	2	HAND BOLT	M4, PKB4 L=20	3	MZZZ0PLA023
9		1	TOP CASE ASS'Y			
10	○	2	TOP DECO COVER	ACRYL-5.0t	1	MPCX0ACR008
11	○	2	SPEAKER	5 1/4" MID	2	MZZZ0SPE027
12	○	2	SPEAKER	3" HIGH	2	MZZZ0SPE026
13	○	2	TOP CASE LED PCB ASS'Y	SMD	4	MPCX0PCB002
14	○	2	SPEAKER NETWORK PCB ASS'Y	-	2	APUT0PCB007
15	○	2	SPEAKER TERMINAL	TERMINAL	4	MZZZ0SPE029
16		1	FRONT LIGHT DECO ASS'Y			
17	○	2	FRONT LIGHT DECO ACRYL	ACRYL-8.0t	1	MPUT0ACR008
18	○	2	BUTTON SWITCH	BLC-TN-BK-G-CY	4	MZZZ0BUT075
19	○	2	BUTTON SWITCH	BLC-TN-BK-F-CG	2	MZZZ0BUT074
20	○	2	PUSH BUTTON L	16MM DC12V WECO	2	MZZZ0BUT056
21	○	2	FRONT LIGHT DECO PCB ASS'Y	SMD	2	APCX0PCB001
22	○	2	USB ONOFF PCB ASS'Y-1P	-	1	APUF0PCB011
23		1	MAIN CASE ASS'Y			
24	○	2	SPEAKER	WOOFER 10"	2	MZZZ0SPE003
25	○	2	WOOFER ACRYL	ACRYL-8.0t	2	MPCX0ACR009
26	○	2	WOOFER LED PCB ASS'Y	SMD	2	APCX0PCB003
27	○	2	AC INPUT	DAC-13H	1	MELE0SWI015
28	○	2	KEY ASS'Y	7001	1	MZZZ0KEY032
29	○	2	PDP MONITOR	42" LITE	1	MPUF0PDP001_1
30		2	WALL MOUNT BLOCK	-	1	MPUJ0ZZZ003
31	○	2	SCREEN COVER	GLASS-5.0t	1	MPCX0GLA001
32	○	2	COIN DOOR ASS'Y	AMCD-100A,1 COIN(전자식)	1	AZZZ0COD002
33	○	2	SPEAKER PORT	79PI, 2.5t x 50 PIPE	2	MZZZ0SPE030
34		1	PC BASE ASS'Y			

NO.	PIC	LEVEL	PART NAME	SPEC.	QTY	CODE NO.
35		2	MAIN BOX ASS'Y	MK6 NK	1	APUF0000001
36	○	2	SOUND DVI PCB ASS'Y	-	1	APUF0PCB007
37	○	2	DIGITAL AMP PCB ASS'Y	-	1	APUF0PCB018
38	○	2	IO PCB ASS'Y	-	1	APUF0PCB014
39	○	2	NUT	M6, WING NUT	4	-
40		1	POWER BASE ASS'Y			
41	○	2	NOISE FILTER	ES1-F10	1	MELE0NOI006
42	○	2	POWER SMPS	D-120A 5V 12V	2	MELE0SMP045
43	○	2	POWER SMPS	NES-150-24V	1	MELE0SMP049
44	○	2	LED CONTROL PCB ASS'Y	-	1	APUT0PCB010
45		1	SERVICE PANEL ASS'Y			
46	○	2	ROCKER SWITCH	T-125 4P	1	MELE0SWI004
47	○	2	VOLUME KNOB	-	3	MELE0VOL006
48	○	2	COUNTER LCD PCB ASS'Y	-	1	APUT0PCB014
49	○	2	VOLUME PCB ASS'Y	-	1	APUT0PCB008

STEP Part

50	○	2	NEW STEP ACRYL L-BLUE	ACRYL-10.0t	2	APUT0ACR003
51	○	2	NEW STEP ACRYL L-RED	ACRYL-10.0t	2	APUT0ACR002
52	○	2	NEW STEP ACRYL CENTER	ACRYL-10.0t	1	APUT0ACR004
53	○	2	NEW STEP ACRYL R-BLUE	ACRYL-10.0t	2	APUT0ACR006
54	○	2	NEW STEP ACRYL R-RED	ACRYL-10.0t	2	APUT0ACR005

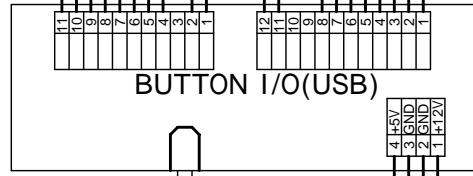
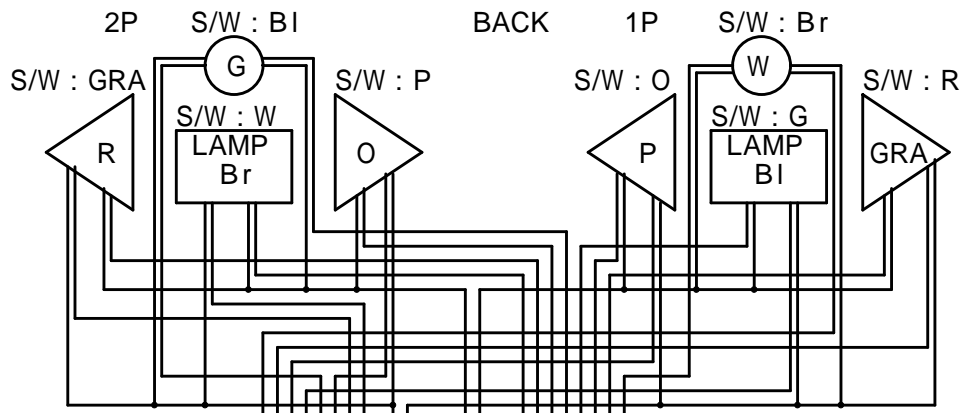
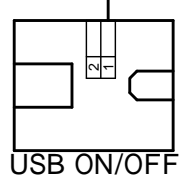
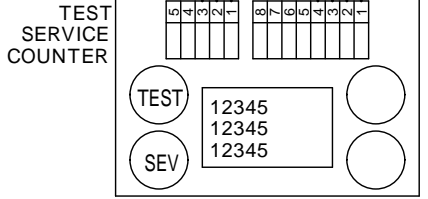
8-3. PICTURE

2	3	4	5	6	7
8	10	11	12	13	14
15	17	18	19	20	21
22	24	25	26	27	28
29	31	32	33	35	36
37	38	39	41	42	43
44	46	47	48	49	50
51	52	53	54		

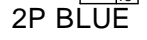
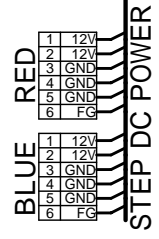
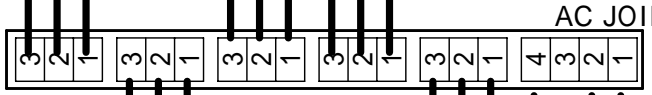
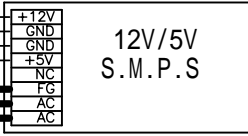
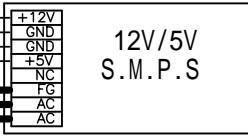
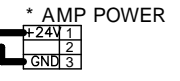
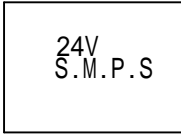
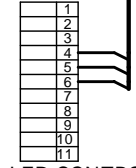
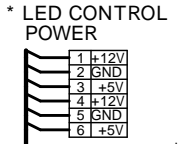
MAIN BOX I/O

7	12V
6	FG
5	IN0
4	IN1
3	IN2
2	IN3
1	IN4

A
B
C
D
E
F
G
H
J
K
L
M
N
O
P
Q
R
S
T
U
V
W
X
Y
Z
a
b
c
d
e
f

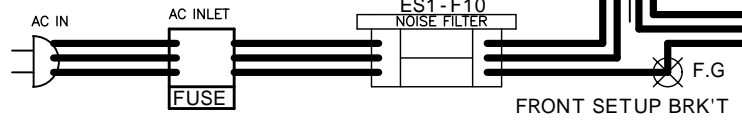


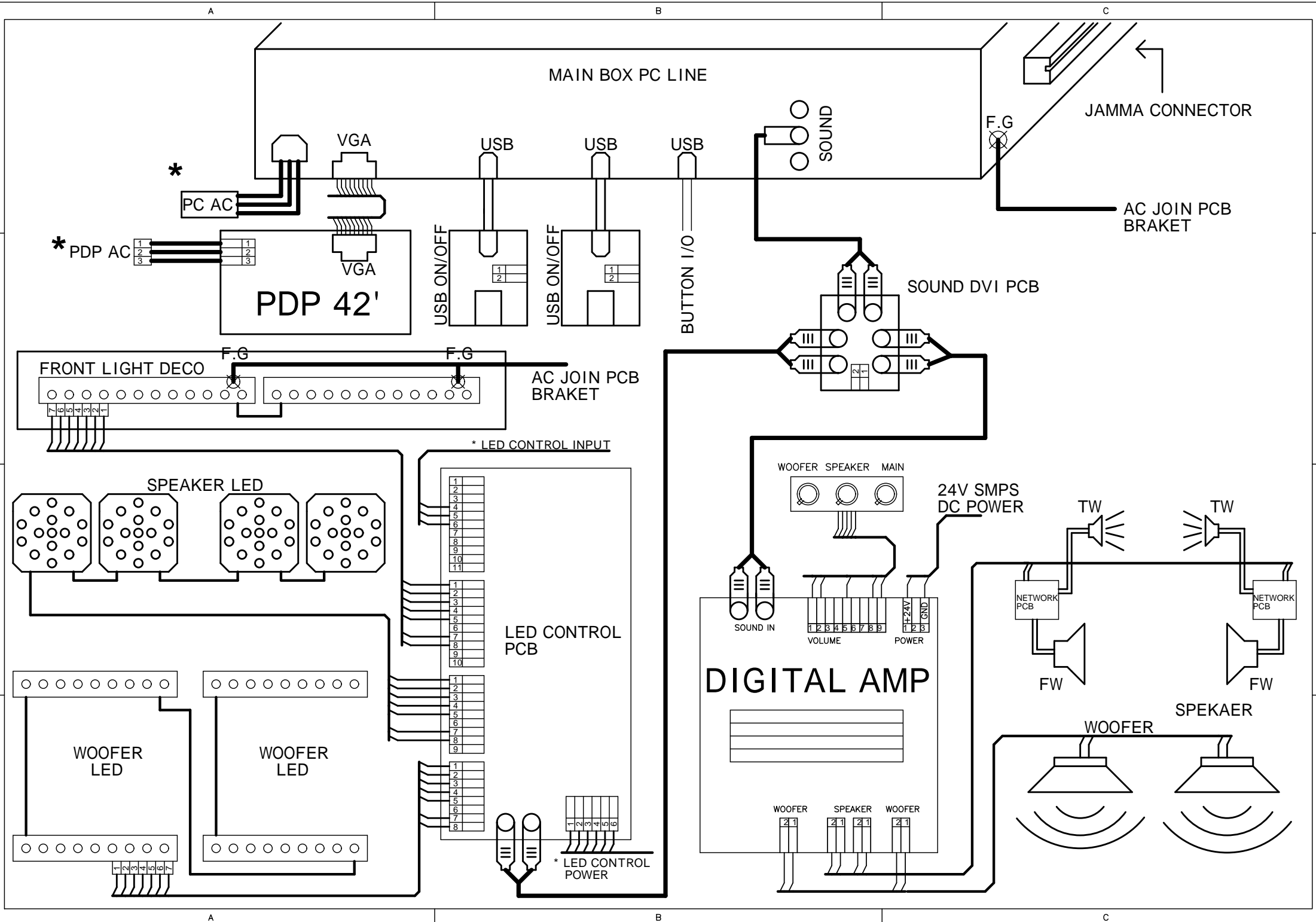
MK9 USB PORT



RED

BLUE





PUMPA CX