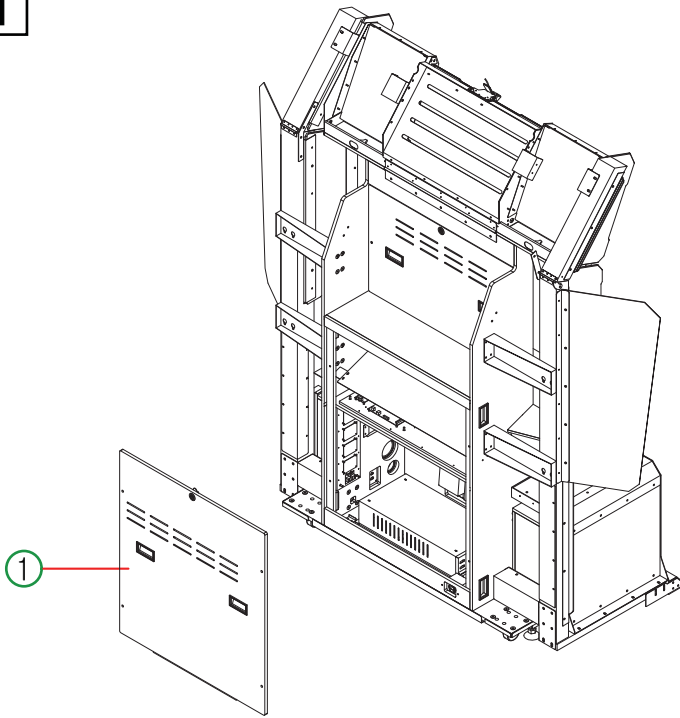


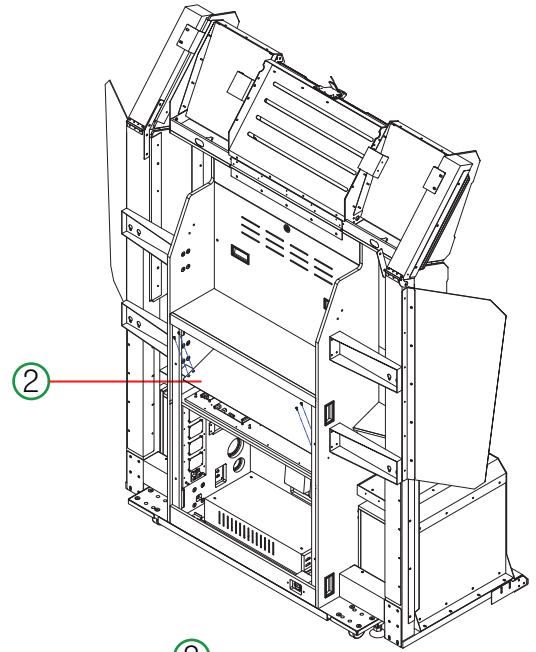
# HOW TO REPLACE DSP SOUND DVI PCB

1



- Make AC POWER SWITCH to OFF
- Open ① LOWER DOOR using 700key [M6 bolt, 4pcs]

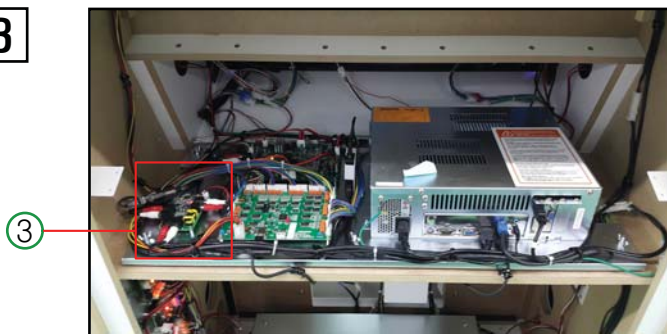
2



- Detach ② PC BASE COVER. [M4 bolt, 4pcs]

\* Please use short length driver.

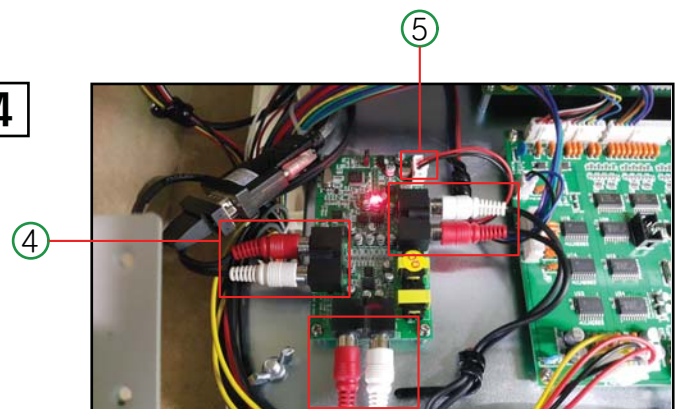
3



- There is ③ DSP SOUND DVI PCB ASS'Y left side of PC BASE PART.

\* After this, please reassemble in reverse order of detaching.

4



- Slightly lift up front side of PC BASE COVER, detach ④ SPEAKER WIRE [6EA] and ⑤ POWER WIRE.

After detaching the PCB [M3 bolt, 4pcs], replace to new PCB and assemble the connector.