



UPGRADE MANUAL (PRO KITS)



- ▶ Please read the manual carefully and keep it in mind before using this machine.
- ▶ Put this manual within touch of your reference in anytime.

PRECAUTIONS FOR USE

The following safety precautions are given throughout this manual. They must be strictly followed to protect those who install, use or maintain this product as well as to protect players, visitors and property.

For safety reasons.

- The following suggestions should be adhered to:



WARNING

Disregarding could result in serious injury.



CAUTION

Disregarding could result in injury or product damage.

- The following graphic suggestions describe the types of precautions to be followed.



Indicates a care should be taken.



Forbidden.



Indicates a matter which must be performed.

- Precautions to be followed:

Certain procedures require a qualified in-shop maintenance person or industry specialist. For such instructions, a qualified person must take care of the jobs.

- Otherwise an electric shock, machine trouble, or a serious accident may result.
- Replacing the machine parts, inspecting and maintaining the machines, and troubleshooting must be assigned only to a qualified in-shop maintenance person or industry specialist. This booklet gives instructions that hazardous jobs in particular must be handled by an industry specialist. Qualified in-shop maintenance person and industry specialist are defined as follows.

Qualified in-shop maintenance person

- A service staff shall have experience in operations of game machines. The staff shall be responsible for assembly, installation, inspection and maintenance of the machine.

Industry specialist

- An industry specialist must be engaged in designing, manufacturing, inspecting and servicing amusement machines. He or she must have an education in electrical, electronic and mechanical engineering, and routinely maintain and repair amusement machines.

PRECAUTIONS FOR USE

WARNING

Be sure to consult an industry specialist when setting up, moving or transporting this product.

- This product should not be set up, moved or transported by any one other than an industry specialist.
- When installing this product, set the 4 leg levelers evenly on the floor and make sure that the product is installed stably in a horizontal position. Unstable installation may result in injury or accident.
- When installing this product, do not apply undue force on movable parts. Otherwise, injury and accident may result, or the product may be damaged.

The machine for indoor usage only does not install outside.



Do not set the game machine up near emergency exits.



Protect the game machine from:

- Rain or moisture.
- Direct sunlight.
- Direct heat from air-conditioning and heating equipment, etc..
- Hazardous flammable substances.
- Otherwise an accident or malfunction may result.



Do not place containers holding chemicals or water on or near the game machine.



Do not place objects near the ventilating holes.



Do not bend the power cord by force or place heavy objects on it.



Never plug or unplug the power cord with wet hands.



Never unplug the game machine by pulling the power cord.



CAUTION

Be sure to use indoor wiring within the specified voltage requirements. For extension cord, use the specified rating or more.

Be sure to use the attached power cord.

Never plug more than one cord at a time into the electrical receptacle.



Do not lay the power cord where people walk through.



Be sure to ground this product.



Do not exert excessive force when moving the machine.




For proper ventilation, keep the game machine 100mm(4") away from the walls.

Do not alter the system related dipswitch settings.

PRECAUTIONS FOR USE

WARNING

If there is any abnormality such as smoke, bad smell or abnormal noise being emitted from the machine, immediately turn OFF the main power switch and unplug the power cord from the receptacle to stop operating it. 

- Using the machine in abnormal conditions could result in fire or accidents.

In case of abnormality

1. Turn OFF the main power switch.
2. Unplug the power cord from the receptacle.
3. Contact your nearest dealer.

Do not leave the power cord plugged in improperly or covered with dust. 

- Doing so could result the power cord periodically.


CAUTION

Do not use this product anywhere other than industrial areas. 

- Using in a residential area or an area next to a residential area could affect signal reception of radios, television sets, telephones, etc..
- Do not give shock the surface of glass products.

- Please do not play this game if
 - When you do drinking;
 - When your physical condition is not normal;
 - When you are in pregnancy;
 - When you have on a pulse controller;
 - When you have recently experienced a cramp or fainting away while watching TV.
- Avoid excessive force/shock while playing/moving the game.
- While do games, pay attention to surrounding.

Do not plug or unplug the power cord with wet hands. 

In handling the power cord, follow the instructions below. 

- | | |
|---|--|
| • Do not damage the power cord. | • Do not modify the power cord. |
| • Do not bend the power cord excessively. | • Do not twist the power cord. |
| • Do not heat the power cord. | • Do not pull the power cord. |
| • Do not bind the power cord. | • Do not stand on the power cord. |
| • Do not sandwich the power cord. | • Do not drive a nail into the power cord. |

If the power cord or power plug becomes damaged, stop using the machine immediately and ask your nearest dealer to replace the parts.

PRECAUTIONS FOR USE

WARNING

Be sure to turn OFF the main power switch and unplug the power cord from the receptacle before inspecting or cleaning the machine.



When replacing parts, be sure to use parts of the correct specifications. Never use parts other than the specified ones.



Opening inside the machine shall be done by machine specialist only as high electric current is being sent inside. For game machine with monitor, a care should be taken while opening its back door. If not, a damage to the inside parts or the monitor may occur.



If the sub power switch of the service panel is turned OFF without turning OFF the main power switch of the power supply unit, some parts in the units remain live. When opening the back door, be sure to turn OFF the main power switch and unplug the power cord from the receptacle.



Strictly refrain from disassembly and repair of parts which are not indicated in this manual, as well as settings and remodeling.



To clean the game machine, wipe it with a soft cloth dampened in a neutral detergent.

- Using thinner or other organic solvent or alcohol may decompose the material.
- Electrical shock or equipment failure could be caused by water entering the inside of the machine.

CAUTION

Components in the game are sensitive to vibrations and impact. Care should be used when moving and transporting the game machine.



Be sure not to let the machine tip over.

Before moving the machine, be sure to turn OFF the main power switch, unplug the power cord from the receptacle and remove the power cord from the machine.



Before moving take the machine, off the levelers and move it on the casters.

Avoid excessive force while moving the machine.

.....

PRECAUTIONS IN HANDLING

- When setting up, inspecting, maintaining, moving or transporting this product, follow the procedures and instructions set forth in this manual and perform such work safely.
- Do not set up, handle, inspect, maintain, move or transport this product under conditions equivalent to the condition of "WARNING" or "CAUTION" specified in this manual.
- If a new owner is to have this product as a result of transfer, etc., be sure to give this manual to the new owner.

* CONTENTS

1. SERVICE MENU SCREENS
2. CAME SETTINGS
3. INSERT CREDIT
4. CLEAR CREDITS
5. TEST INPUT
6. TEST LIGHTS
7. INSTALL PATCH
8. INSTALL ADDON
9. TOGGLE SONGS
10. REDUCE BURN-IN
11. DIAGNOSTICS
12. MAINTENANCE MENU
13. COMPONENTS
14. Installation method of Pro kits
 - 14-1. Cutton dimension for Button Plate ass'y
 - 14-2. Intallation of Button Plate ass'y & connection
 - 14-3. Installation of SMPS and I/O PCB
15. BUTTON PLATE ASSEMBLING
16. WIRING DIAGRAM

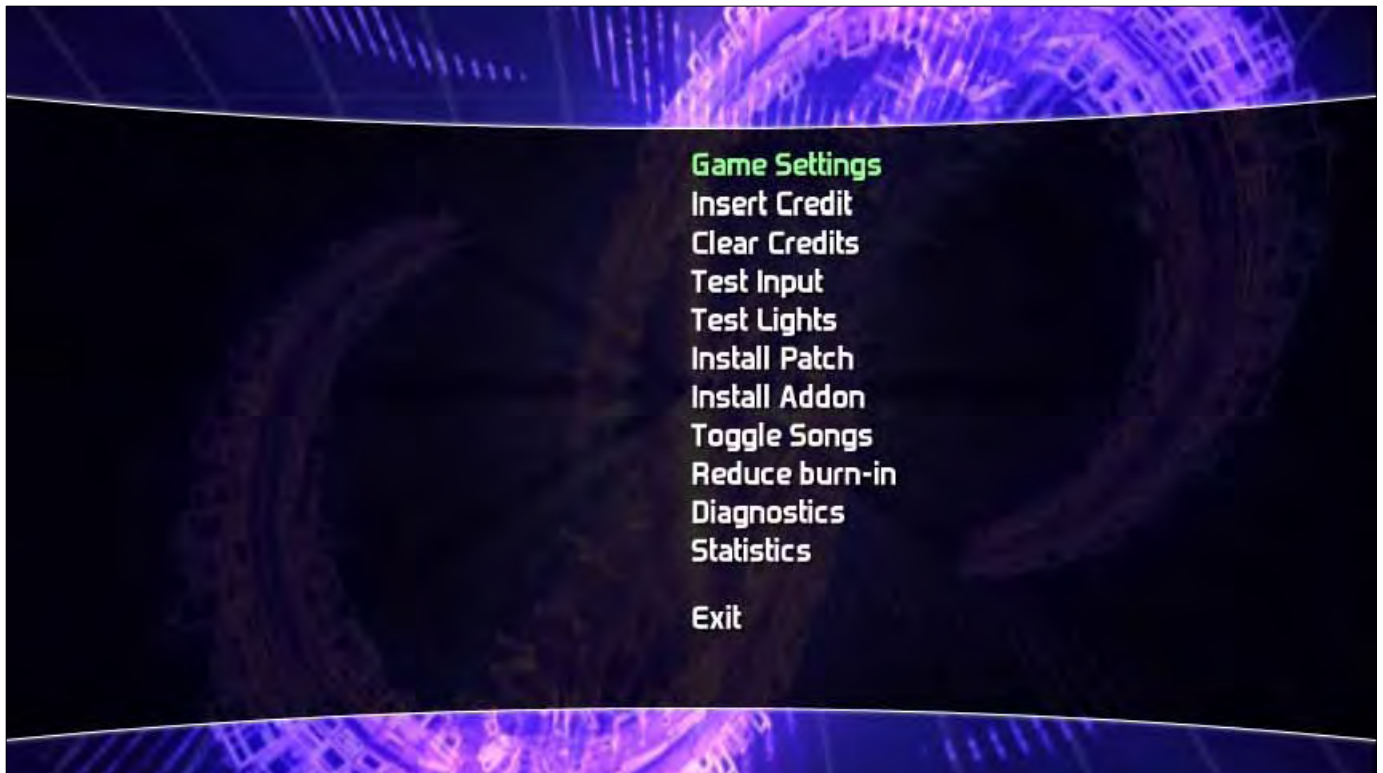
1. Service Menu Screens

Use the Service Menu screens to change game options and perform routine maintenance tasks.

Service Menu

Press the Service button located in the service box at any time while the game is running.
The Operator Menu will appear.

Press the Left and Right buttons to change the selected option,
then press Start to choose the selected option.



[Coin Options] Configure difficulty, game, and coin options.

[Insert Credit] Insert one credit.

[Clear Credits] Clear the current credit count.

[Install Patch] Install a Pump It Up Pro patch from a USB drive.

[Test Input] Check that dance pad sensors and cabinet buttons are functioning properly.

[Test Lights] Check that lamps functioning properly.

[Diagnostics] Show software version and USB device information.

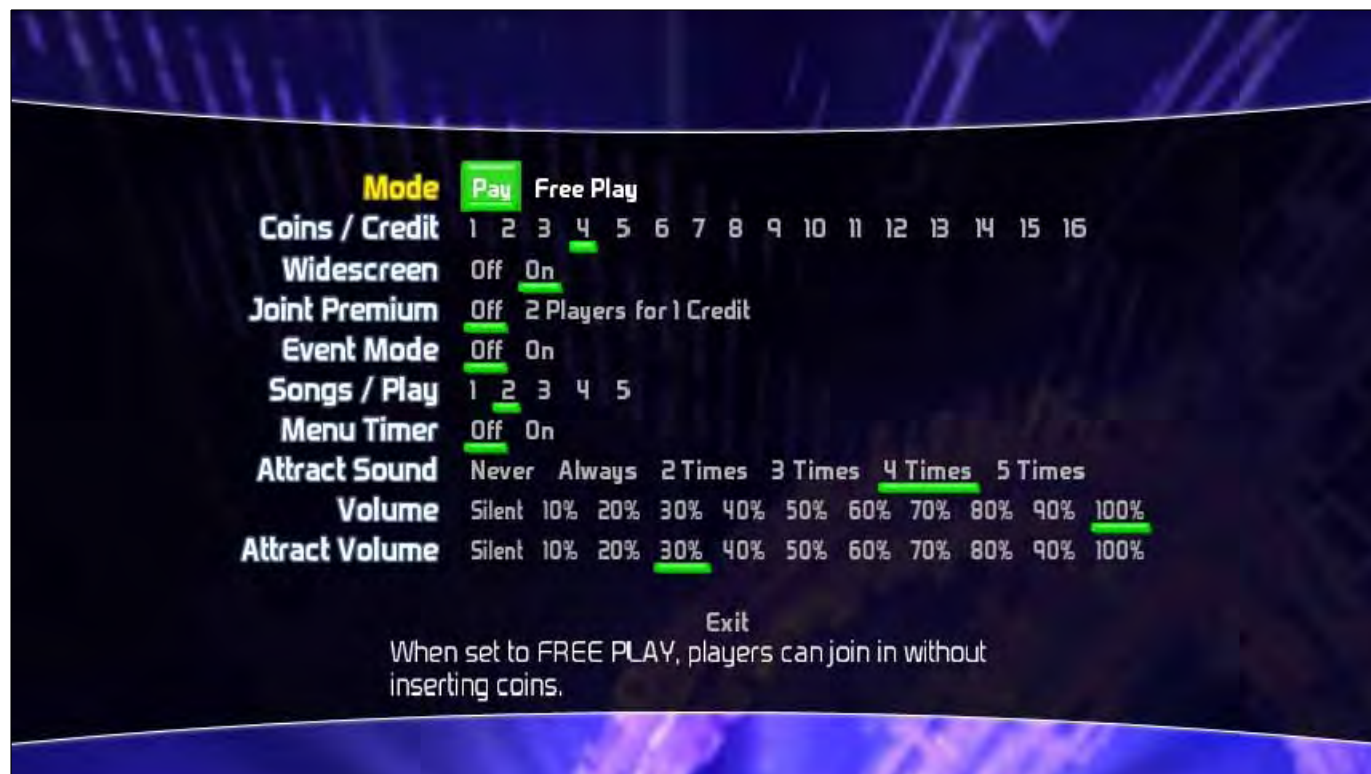
[Reduce burn-in] Display a static pattern on the screen.

[Bookkeeping] Show coin statistics.

[Exit] Leave this screen and return to game mode.

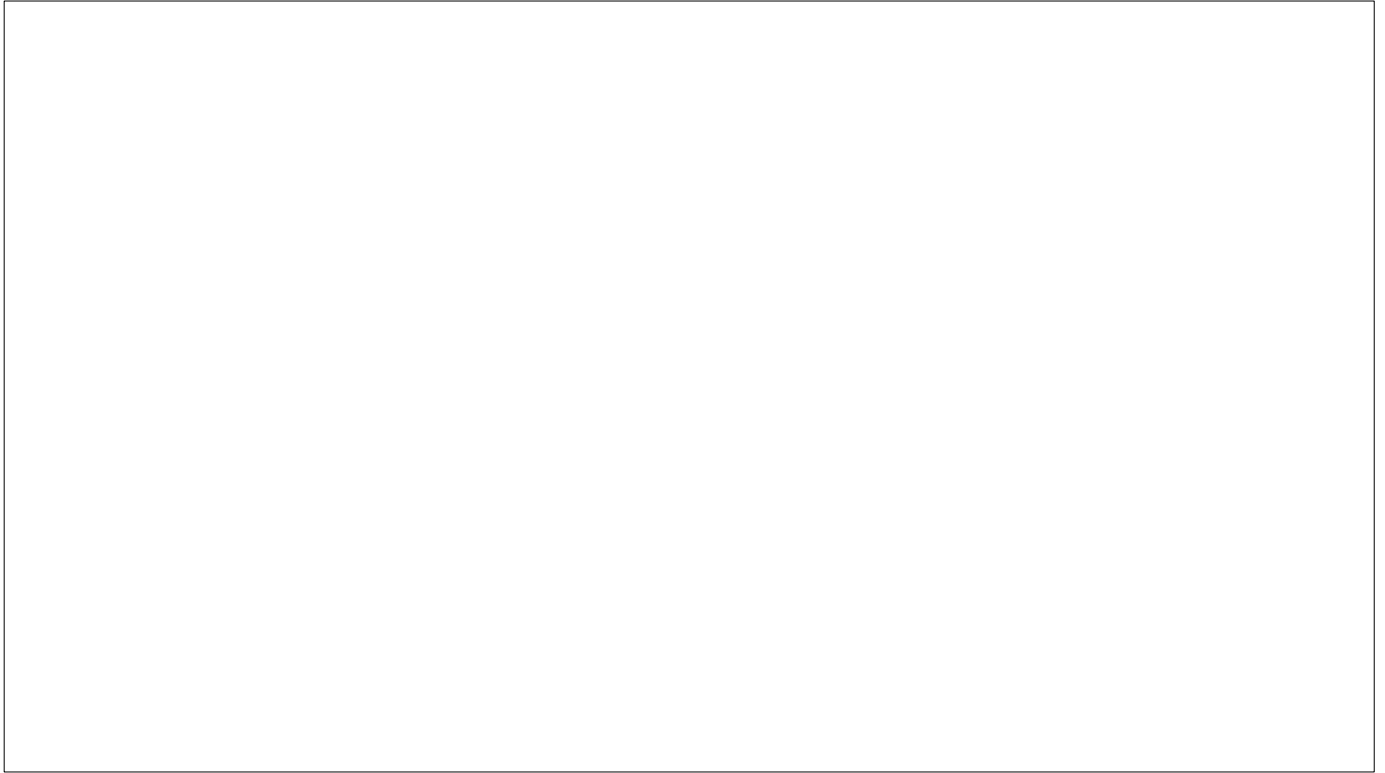
2. Game Settings

Choose Game Settings from the Service Menu.



3. Insert Credit

Choose Insert Credit from the Service Menu.



Press the Left and Right buttons to change the selected value on the current row.

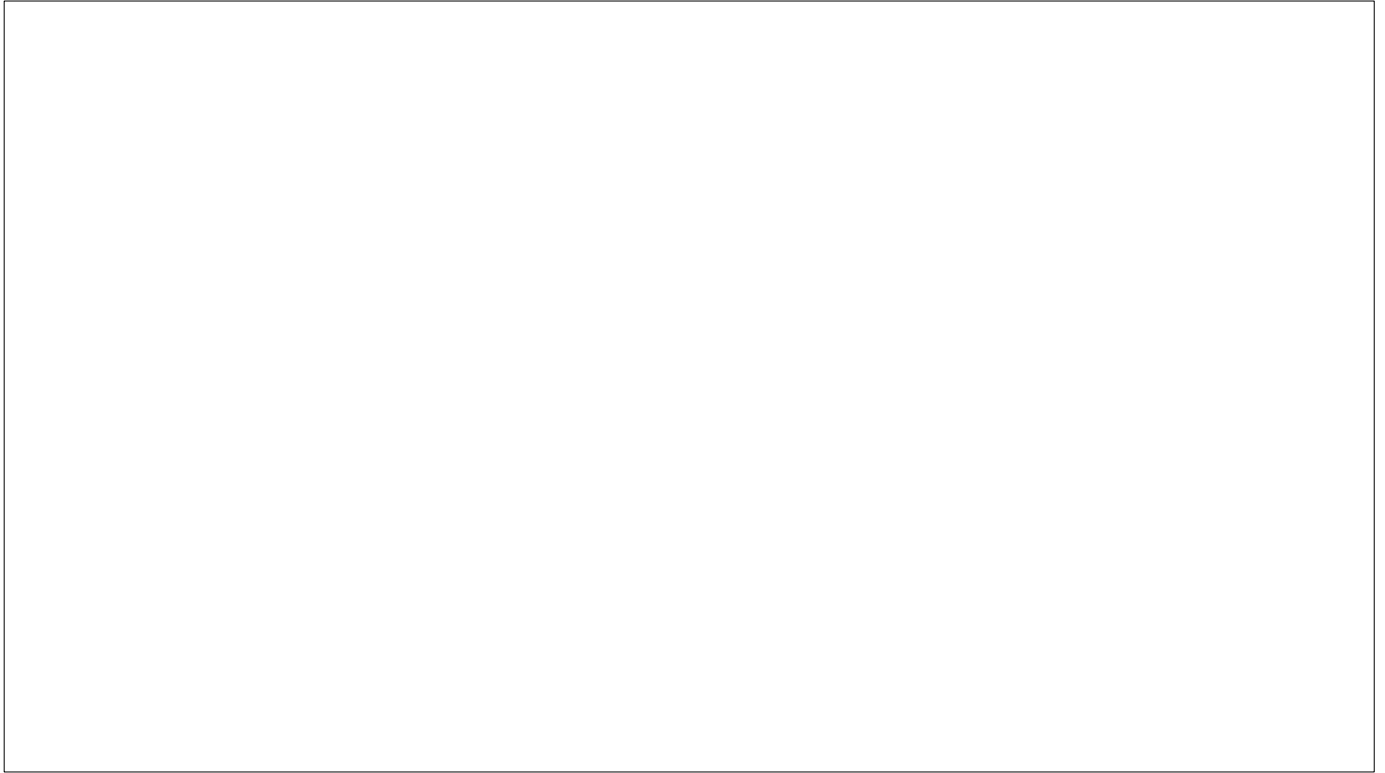
Press Start to move to the next row.

Press Start while on the Exit option to save changes and leave this screen.

As you change options,
an explanation describing the current option appears near the bottom of the screen.

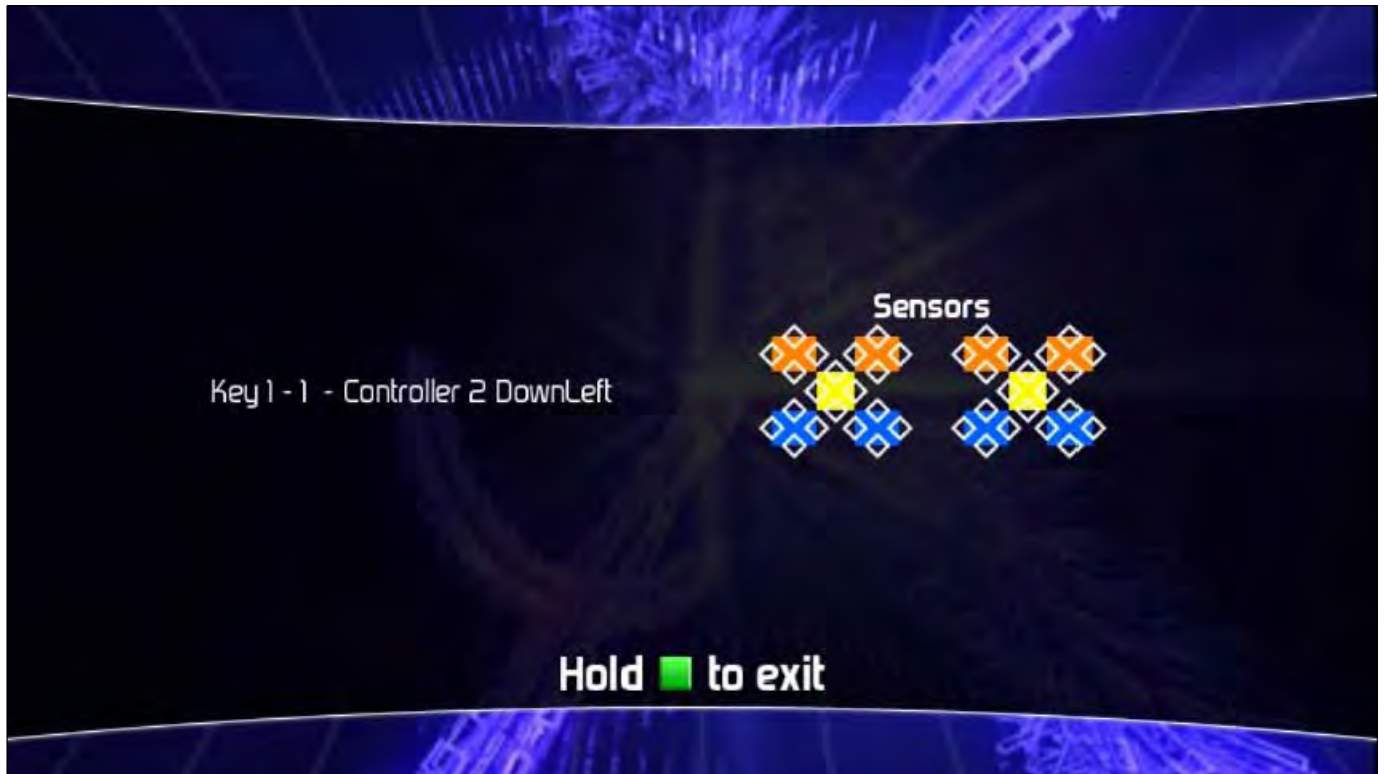
4. Clear Credits

Choose Clear Credits from the Service Menu.



5. Test Input

Choose Test Input from the Service Menu.



The game displays a list of all dance pad panels and cabinet buttons that it detects as currently being pressed.

Press any dance pad panel or cabinet button, and watch the screen text to see if the button status changes appropriately.

Buttons that are stuck in the on position or are unresponsive to a press will need maintenance.

Press and hold the Start button to leave this screen.

6. Test Lights

Choose Test Lights from the Service Menu.

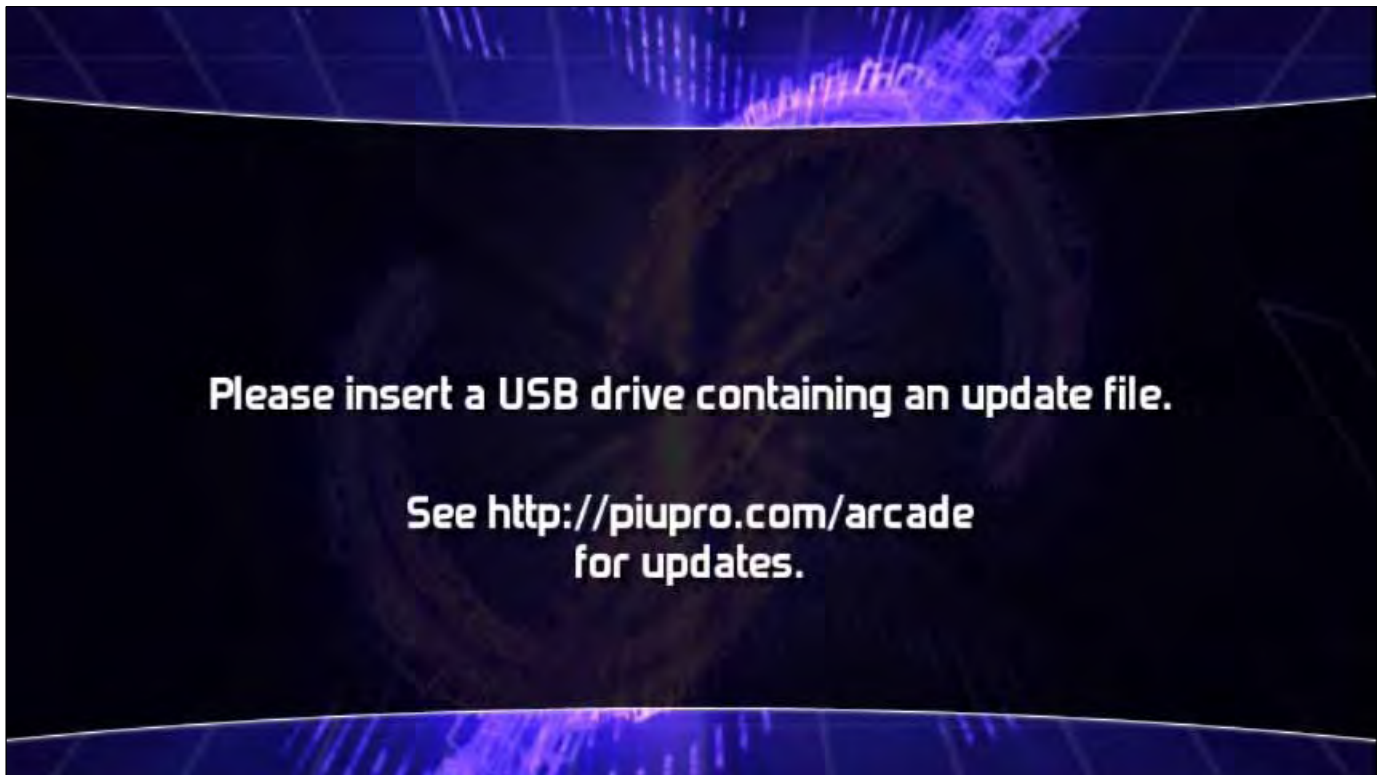


This screen will cycle through the cabinet and pad lights one at a time.
A message shows which lights are currently lit according to the software.

Press Left and Right on the Player 1 side to manually cycle through cabinet lights.
Press Left and Right on the Player 2 side to manually cycle through pad lights.
Press Start to leave this screen.

7. Install Patch

Choose Install Patch from the Service Menu.



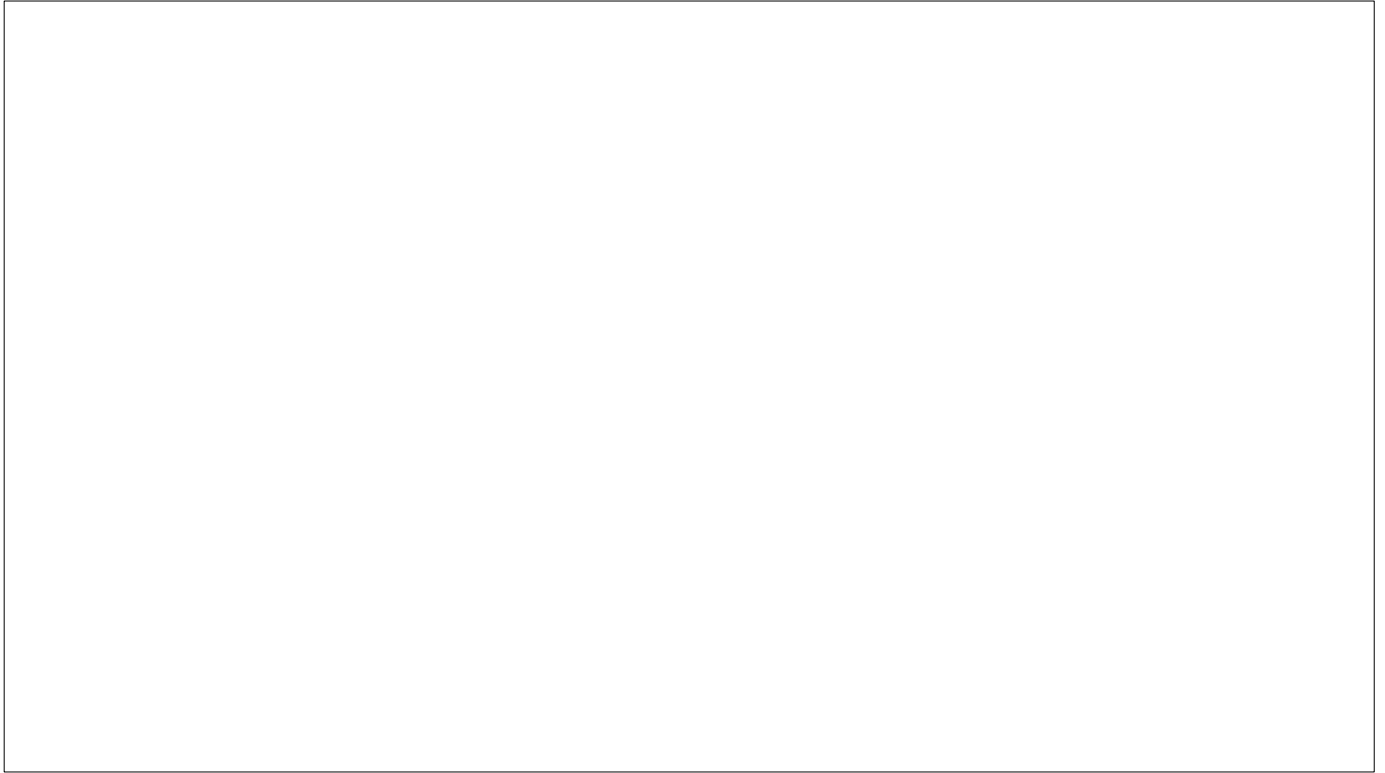
The game software can be upgraded with a Pump It Up Pro patch file on a USB drive. Pump It Up Pro patch files are downloaded from the internet.

Follow the instructions below to install a USB patch, or press the Start button leave this screen.

1. Purchase or borrow a USB drive. These drives can be obtained from Wal-Mart, Target, K-Mart, Radio Shack, any electronics store, and most office supply stores. Any drive size 64MB or larger will work.
2. Plug the pen drive into any computer connected to the internet.
3. On the computer, open a web browser and enter in the location: [http:// pumpituppro.com/arcade/](http://pumpituppro.com/arcade/)
4. Click on the latest patch file for your version of Pump It Up Pro Choose to save the patch file to the root folder of your USB pen drive.
5. Remove the drive and carry it to your Pump It Up Pro machine.
6. On the Pump It Up Pro machine, choose Install Patch from the Service Menu.
7. Plug the USB drive into either player's USB slot on the front of the cabinet.
8. The Machine Update will be read from the pen drive and applied to the machine. This may take a minute or two.
9. Press the Start button to reboot the machine to complete the Machine Update.

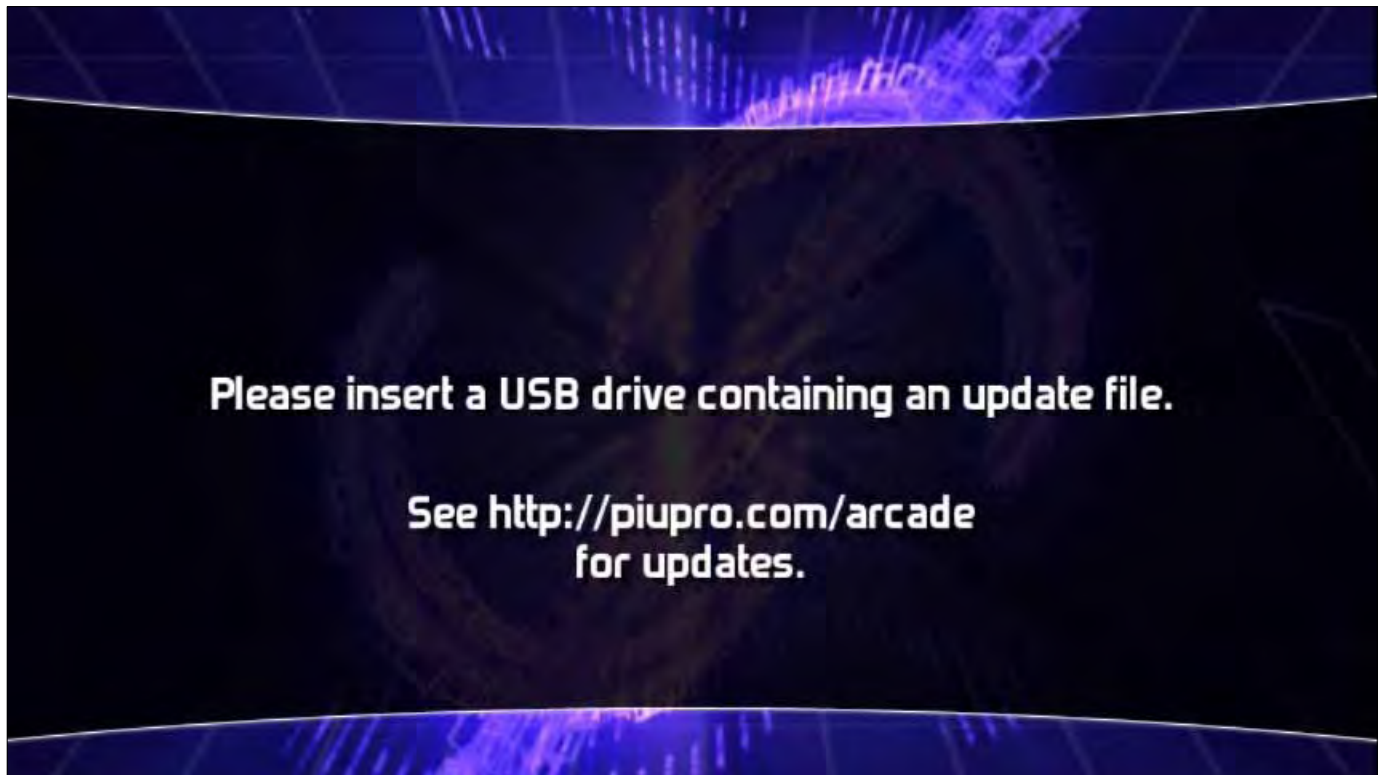
8. Install Addon

Choose Install Addon from the Service Menu.



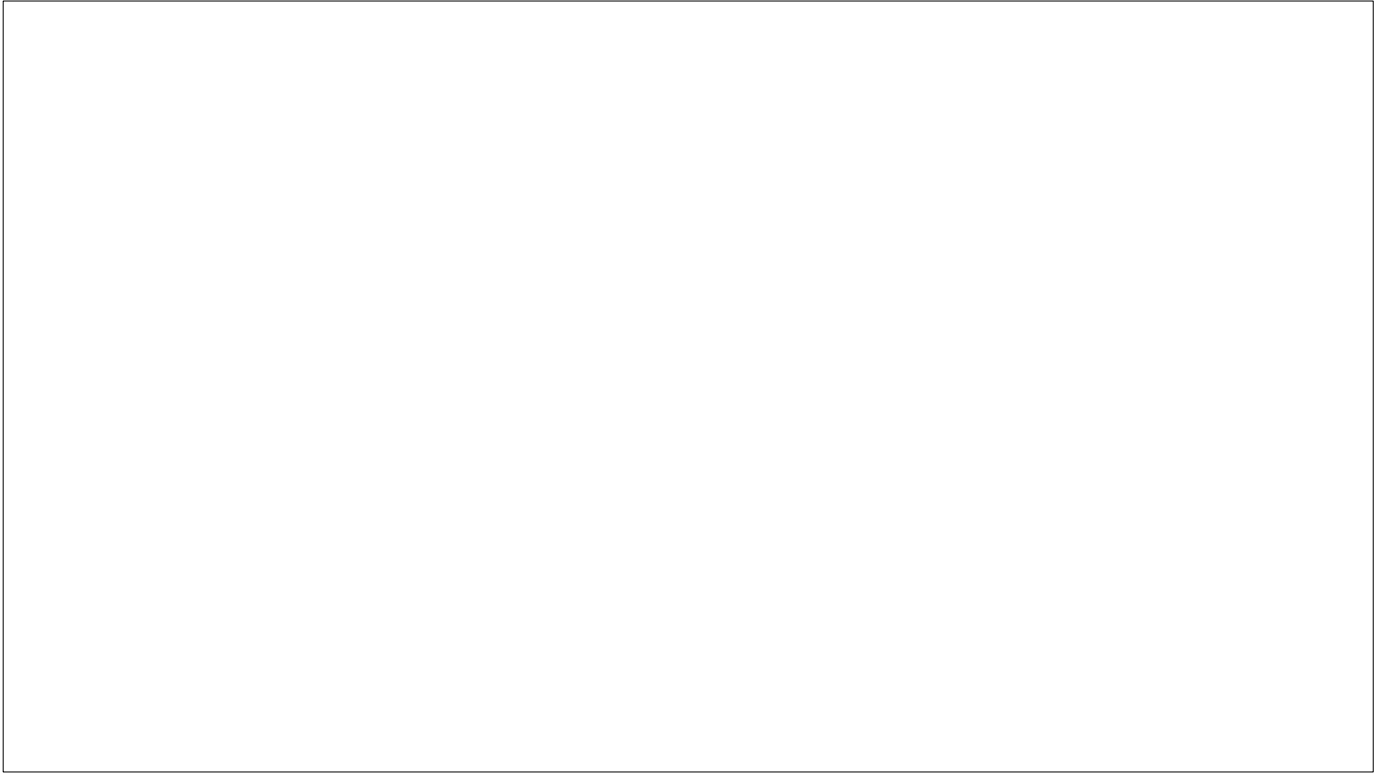
9. Toggle Songs

Choose Toggle Songs from the Service Menu.



10. Reduce Burn-in

Choose Reduce Burn-in from the Service Menu.

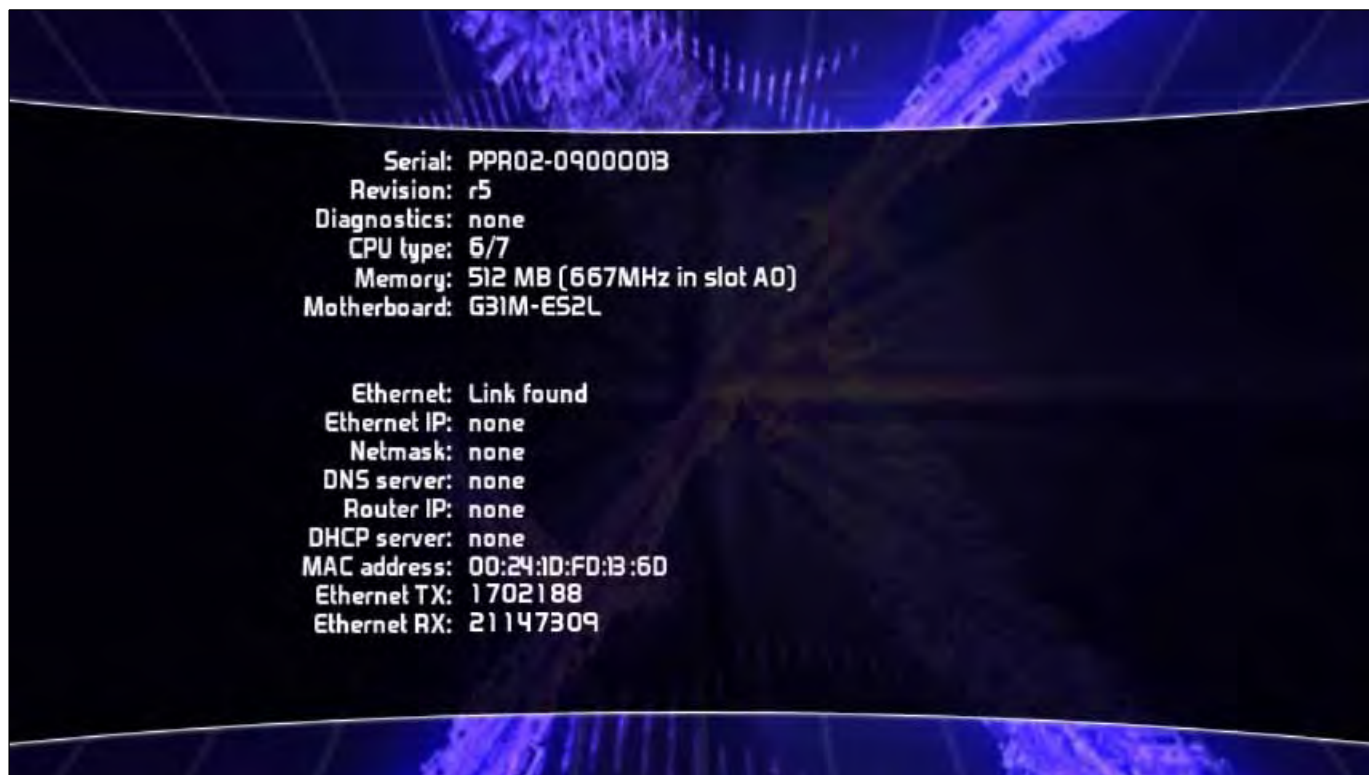


This mode displays static noise to reduce burn-in patterns that may have formed on plasma-technology monitors.
If noticeable burn-in effects develop on your plasma monitor, allow this screen to run for several hours.

Press Start to leave this screen.

11. Diagnostics

Choose Diagnostics from the Service Menu.

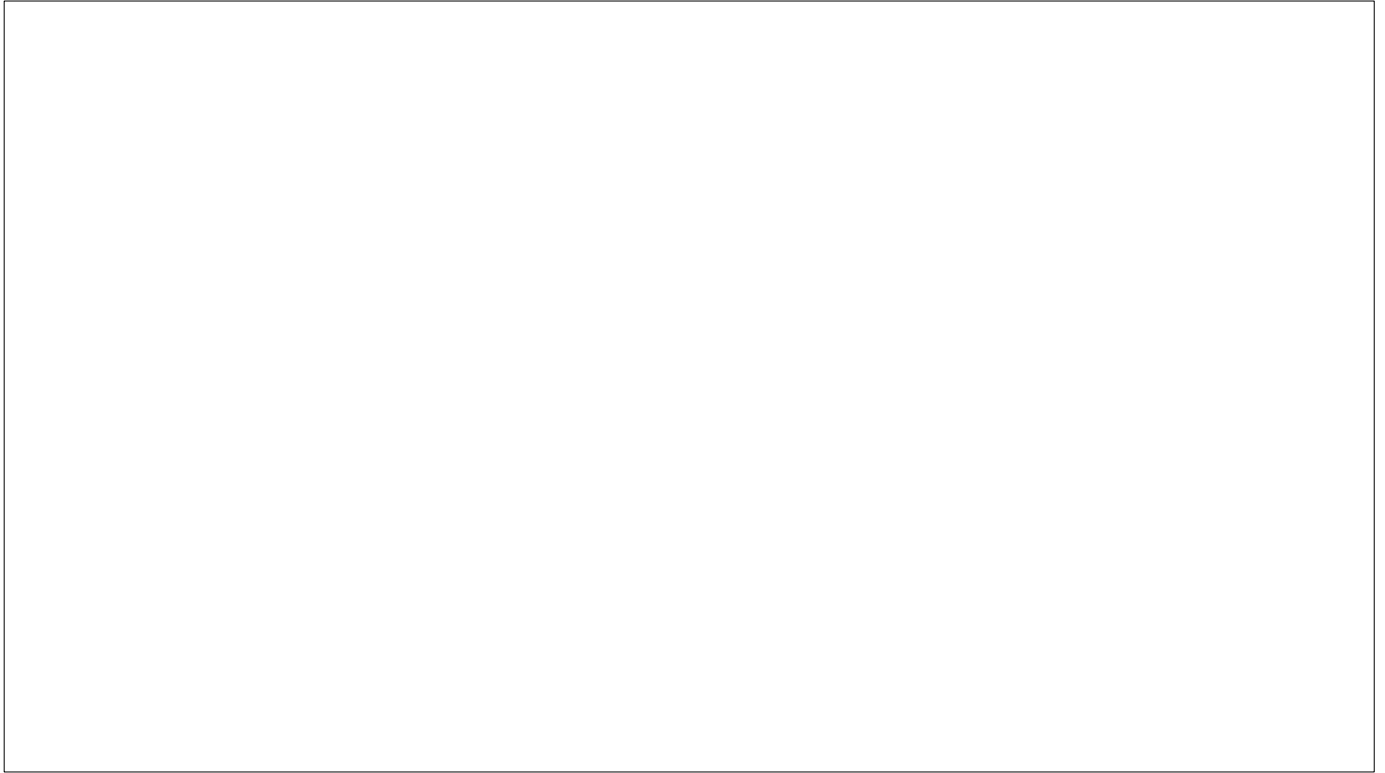


This screen shows information about the currently-installed software patch version, the computer's network IP address, the Pump It Up Pro serial number, and the pressed status of individual sensors in the dance pad.

Press Start to leave this screen.

11. Bookkeeping

Choose Bookkeeping from the Service Menu.



Press Left and Right to cycle among the different Bookkeeping reports.
Press Start to leave this screen.

12. Maintenance Menu

Use the Maintenance Menu to perform uncommon maintenance and recovery tasks.

- 1) To enter the maintenance menu, you will need access to the computer inside of the cabinet. Remove the cabinet's rear-access panel.
- 2) Locate the green IO circuit board attached to the side of the computer unit.
- 3) Locate the SERV1 and CLR1 buttons on the IO circuit board.
- 4) Turn on the cabinet's power switch on.
- 5) While the computer is booting, hold the SERV1 + CLR1 on the IO circuit board. The computer will enter the Maintenance Menu.



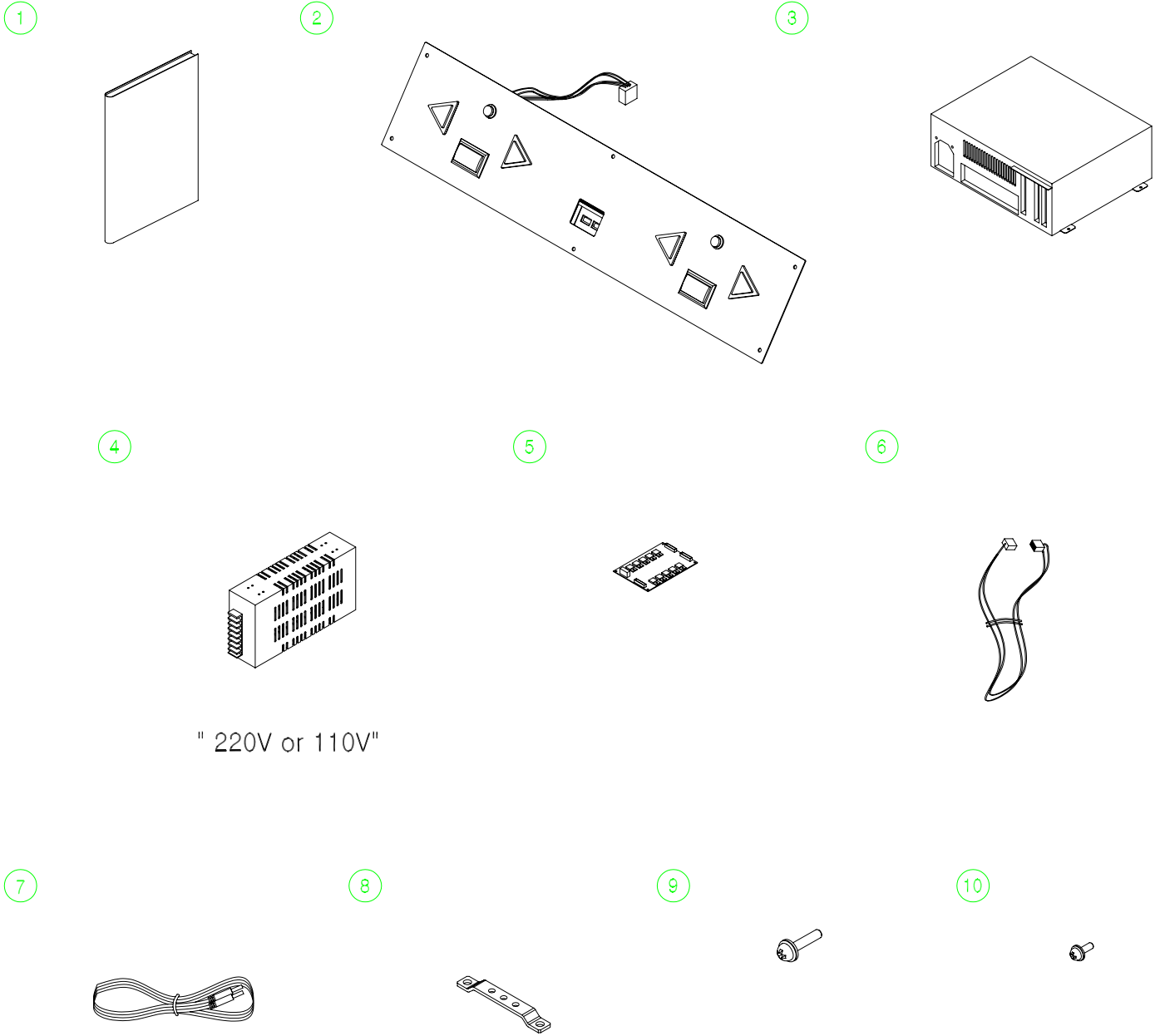
Press the Left and Right buttons to change the selected option, then press Start to choose the selected option. Or, press the Test button located in the service box to leave the Maintenance Menu and reboot into the game.

[Exit] Leave the Maintenance Menu and reboot into the game.

[Cabinet Type] Change the game software to work either with a Pump It Up GX cabinet or a Pump It Up NX cabinet.

[Memory Test] Causes the machine to reboot into memory test mode. In memory test mode, the computer will continuously test for memory errors. Allow the memory test to run for at least one complete pass, then cycle power to the cabinet to reboot the computer. The computer will now reboot into the normal game mode.

13. COMPONENTS

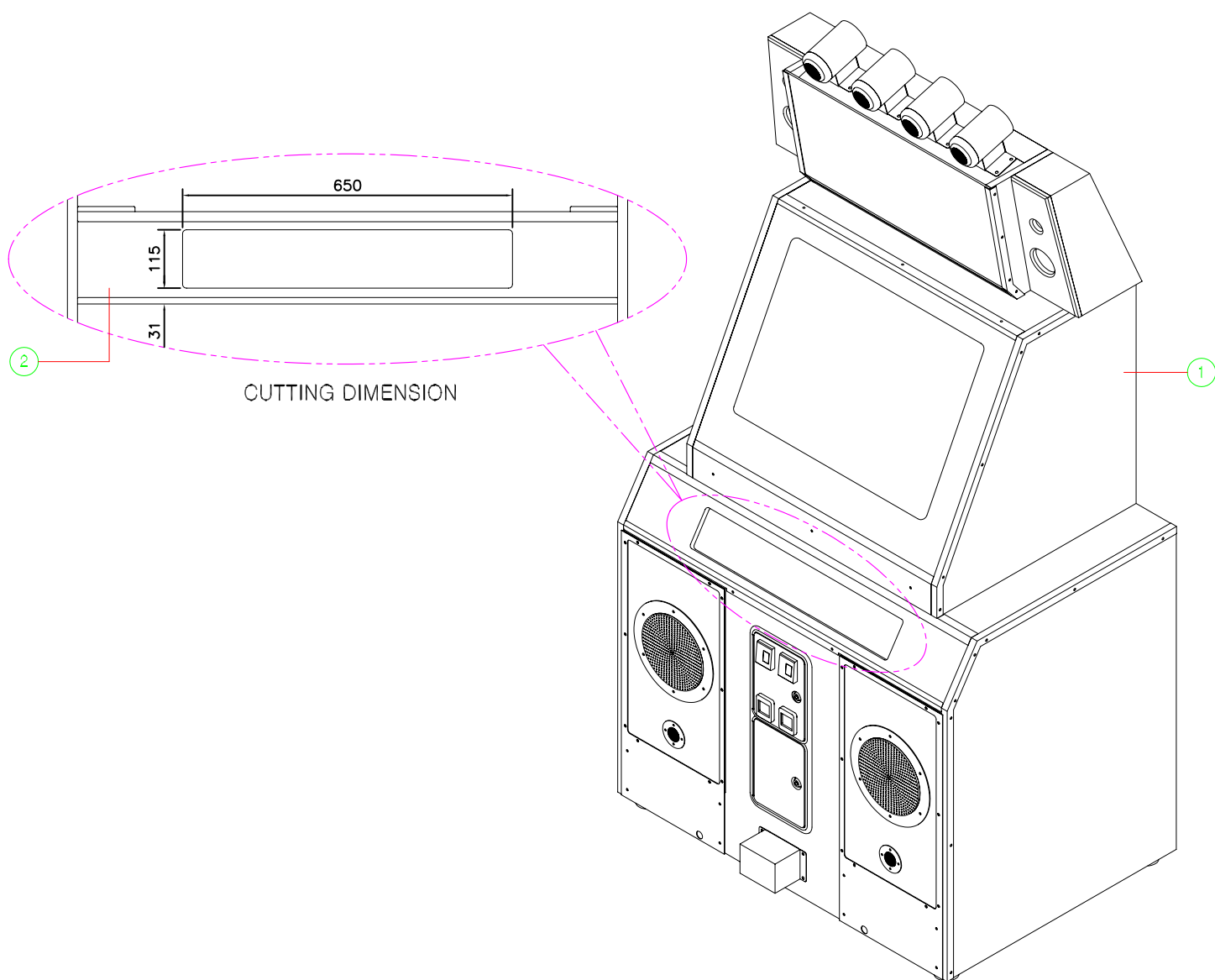


" 220V or 110V"

NO.	PART NAME	SPEC.	QUANTITY	CODE NO.
1	MANUAL	-	1	-
2	BUTTON PLATE ASS'Y	-	1	-
3	MAIN BOARD ASS'Y	-	1	-
4	SMPS	-	1	-
5	I/O BOARD PCB ASS'Y	-	1	-
6	CONNECTOR ASS'Y	-	1	-
7	USB CONNECTOR	-	3	-
8	SMPS SUPPORT BRACKET	-	2	-
9	SCREW	M4x16L	16	-
10	BOLT	M3x5L	6	-

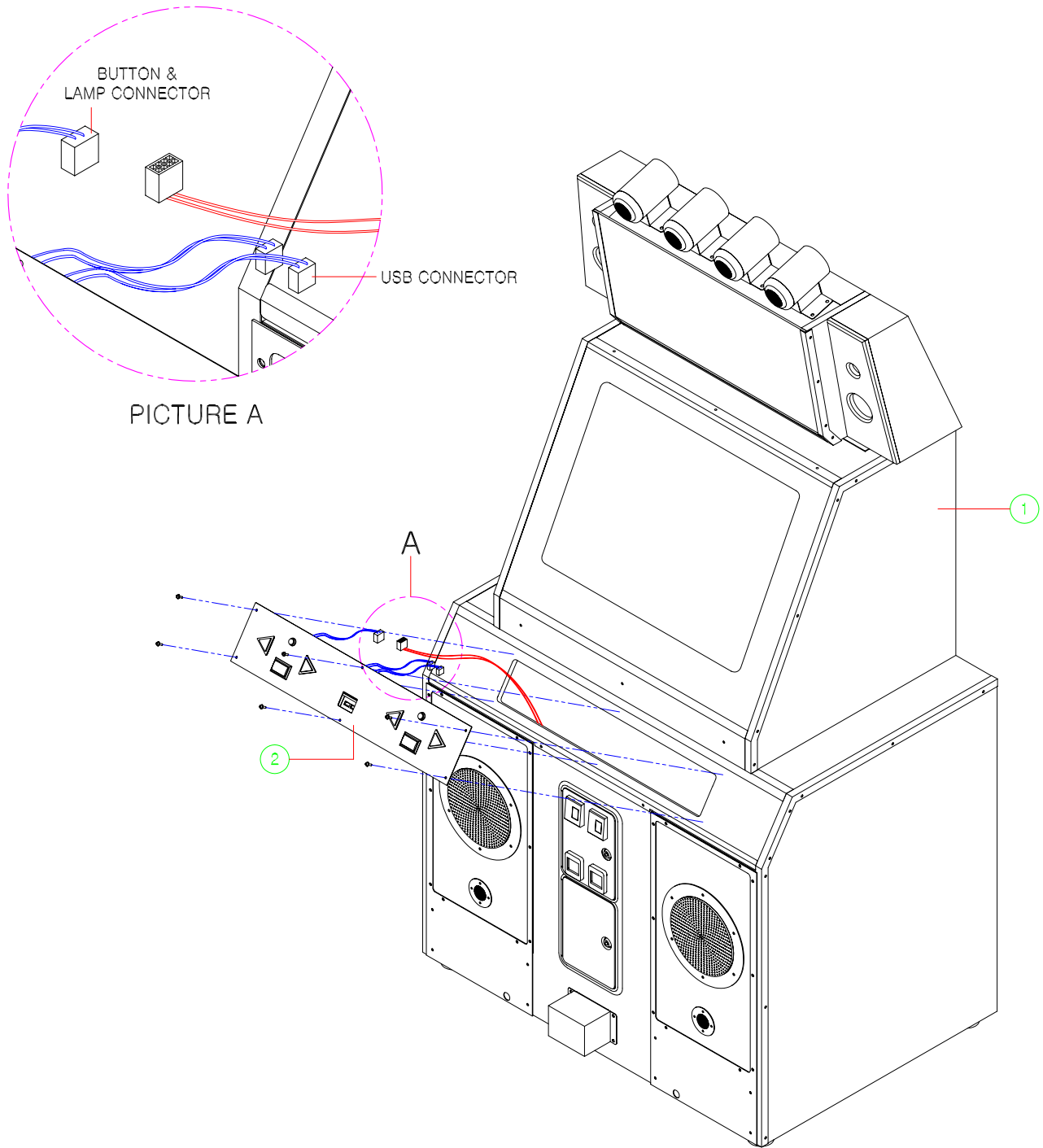
14. Installation method of Pro kits

14-1. Cutton dimension for Button Plate ass'y



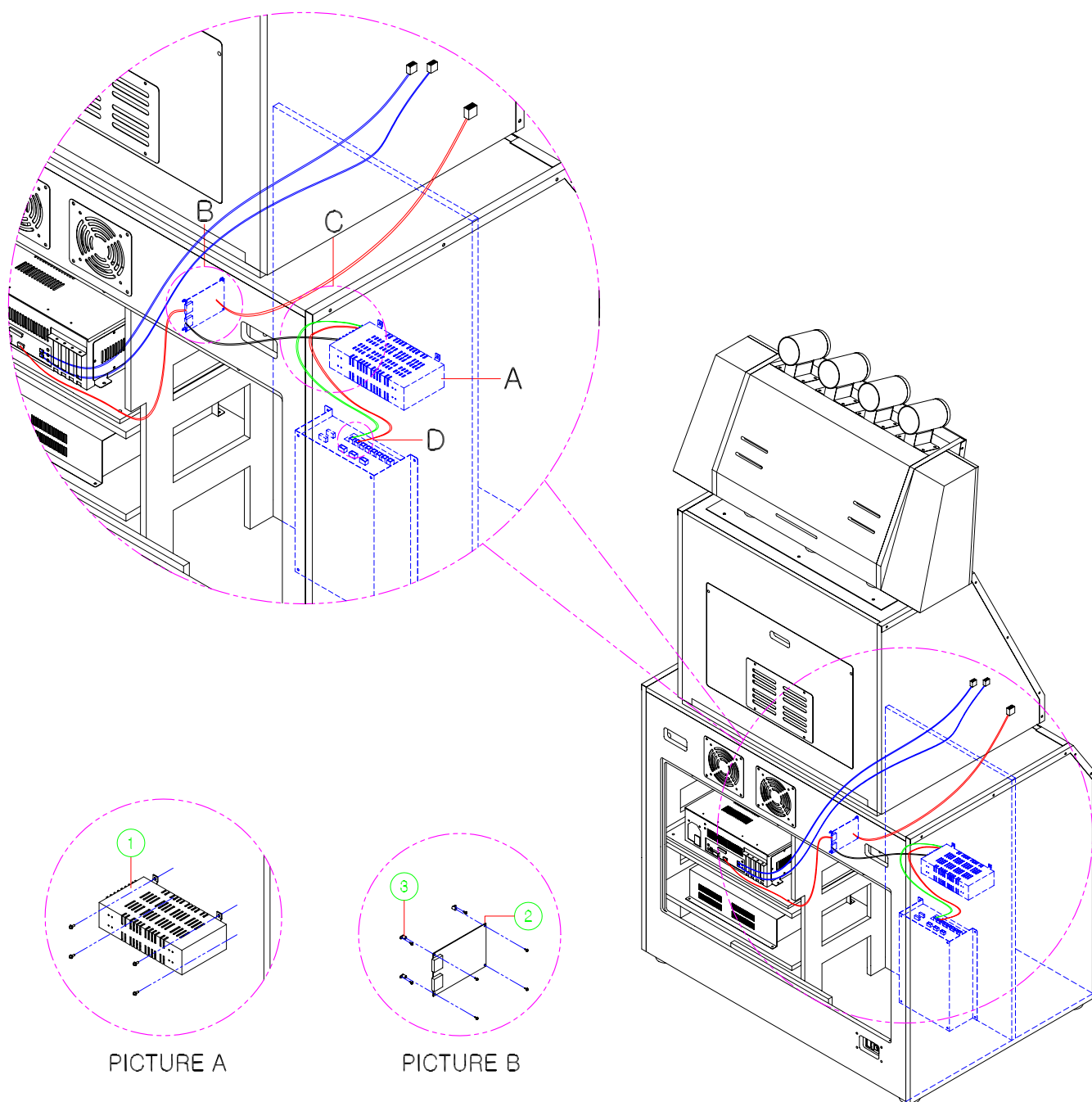
NO.	PART NAME	SPEC.	QUANTITY	CODE NO.
1	CABINET ASS'Y	-	1	-
2	BUTTON PLATE	-	1	-

14-2. Intallation of Button Plate ass'y & connection

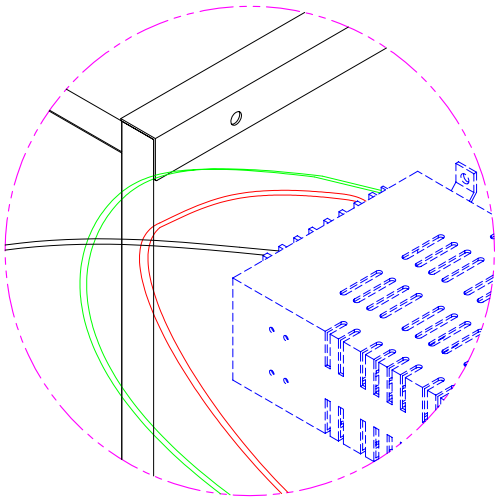


NO.	PART NAME	SPEC.	QUANTITY	CODE NO.
1	CABINET ASS'Y	-	1	-
2	BUTTON PLATE ASS'Y	-	1	-

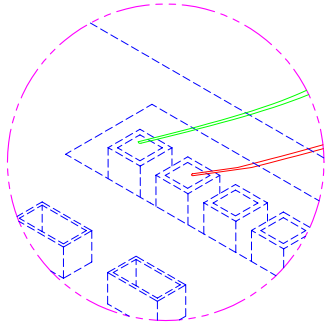
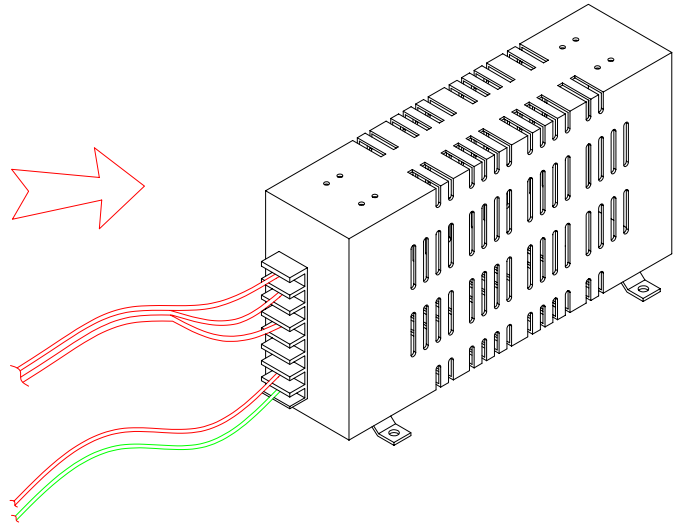
14-3. Installation of SMPS and I/O PCB



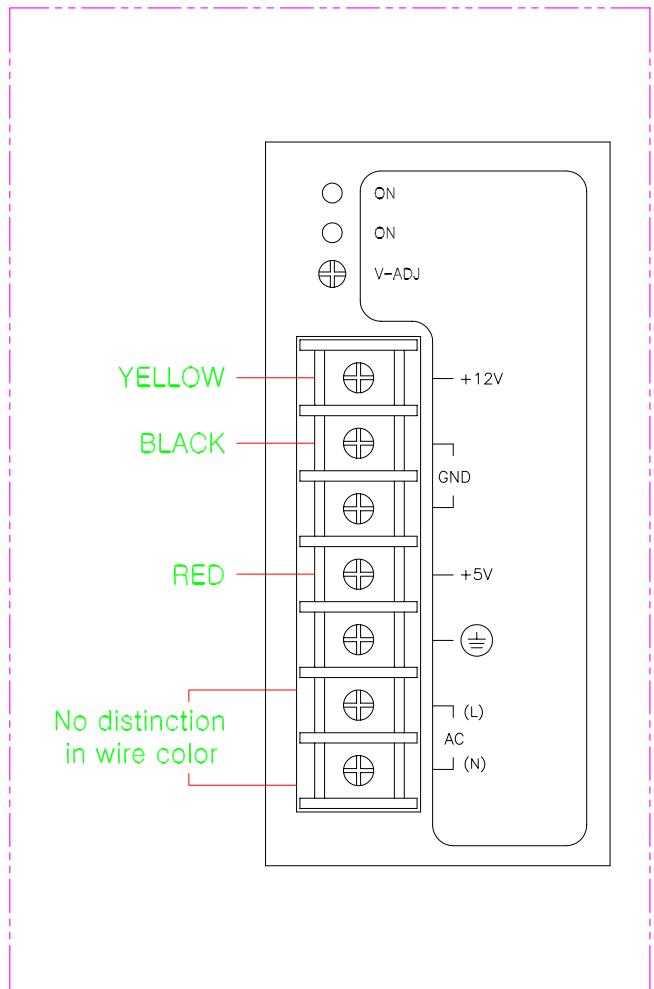
NO.	PART NAME	SPEC.	QUANTITY	CODE NO.
1	SMPS	DC-12V, 5V	1	-
2	I/O BOARD PCB ASS'Y	-	1	-
3	SUPPORT	-	4	-



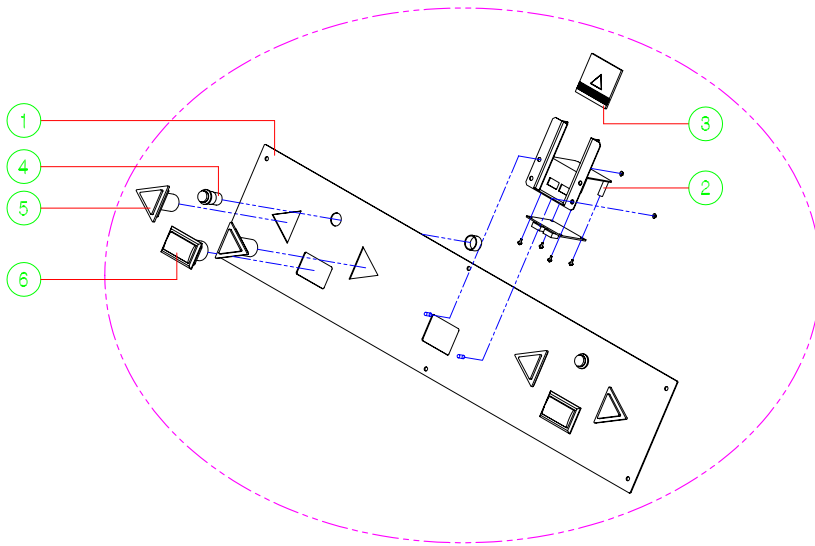
PICTURE C



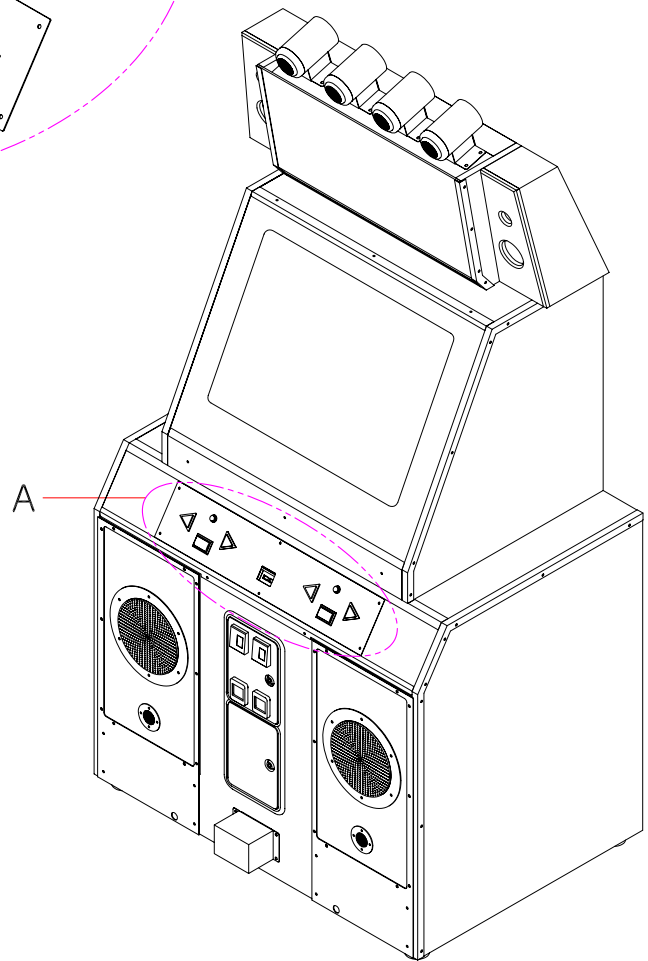
PICTURE D



15. BUTTON PLATE ASSEMBLING

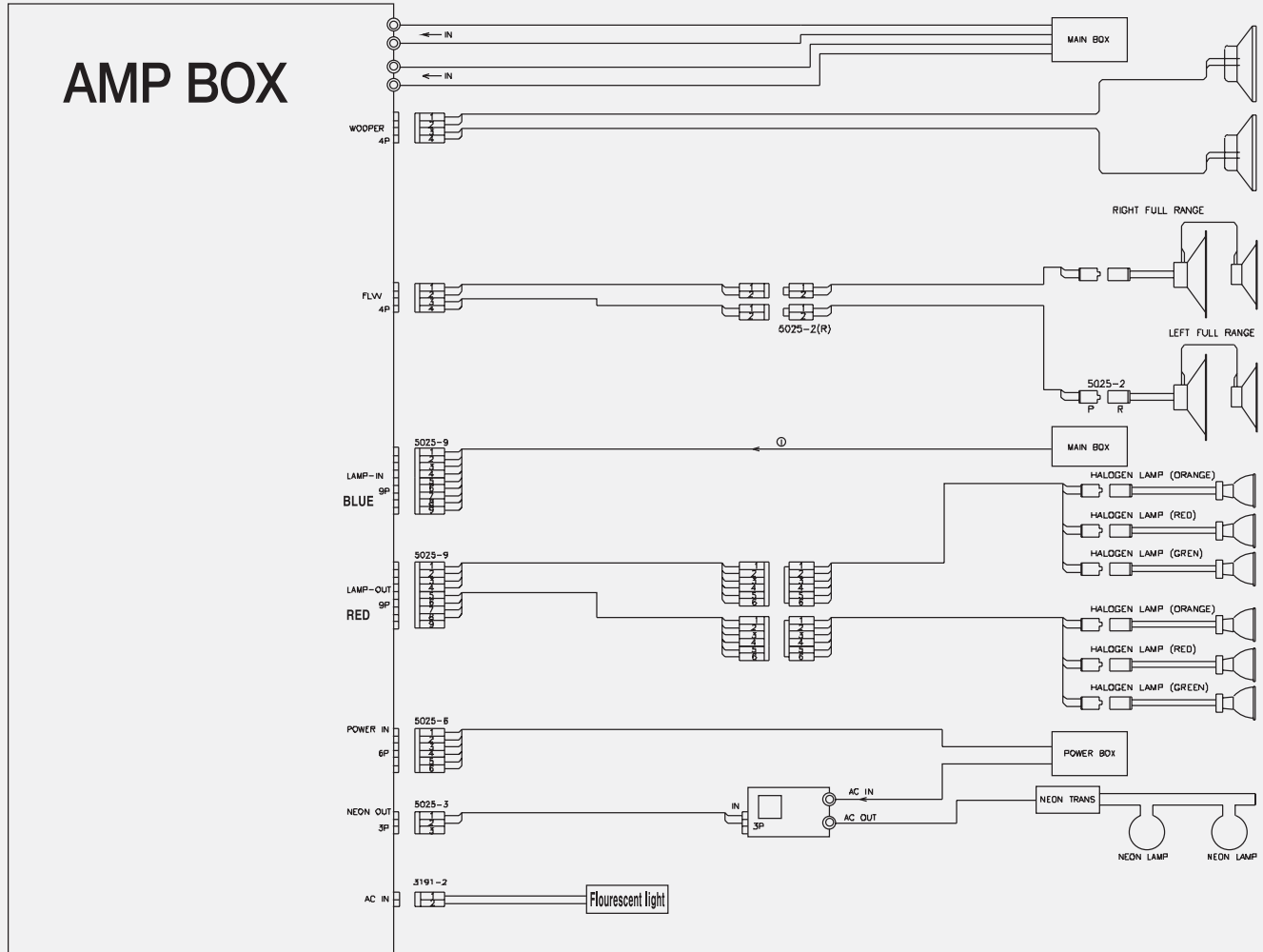


PICTURE A

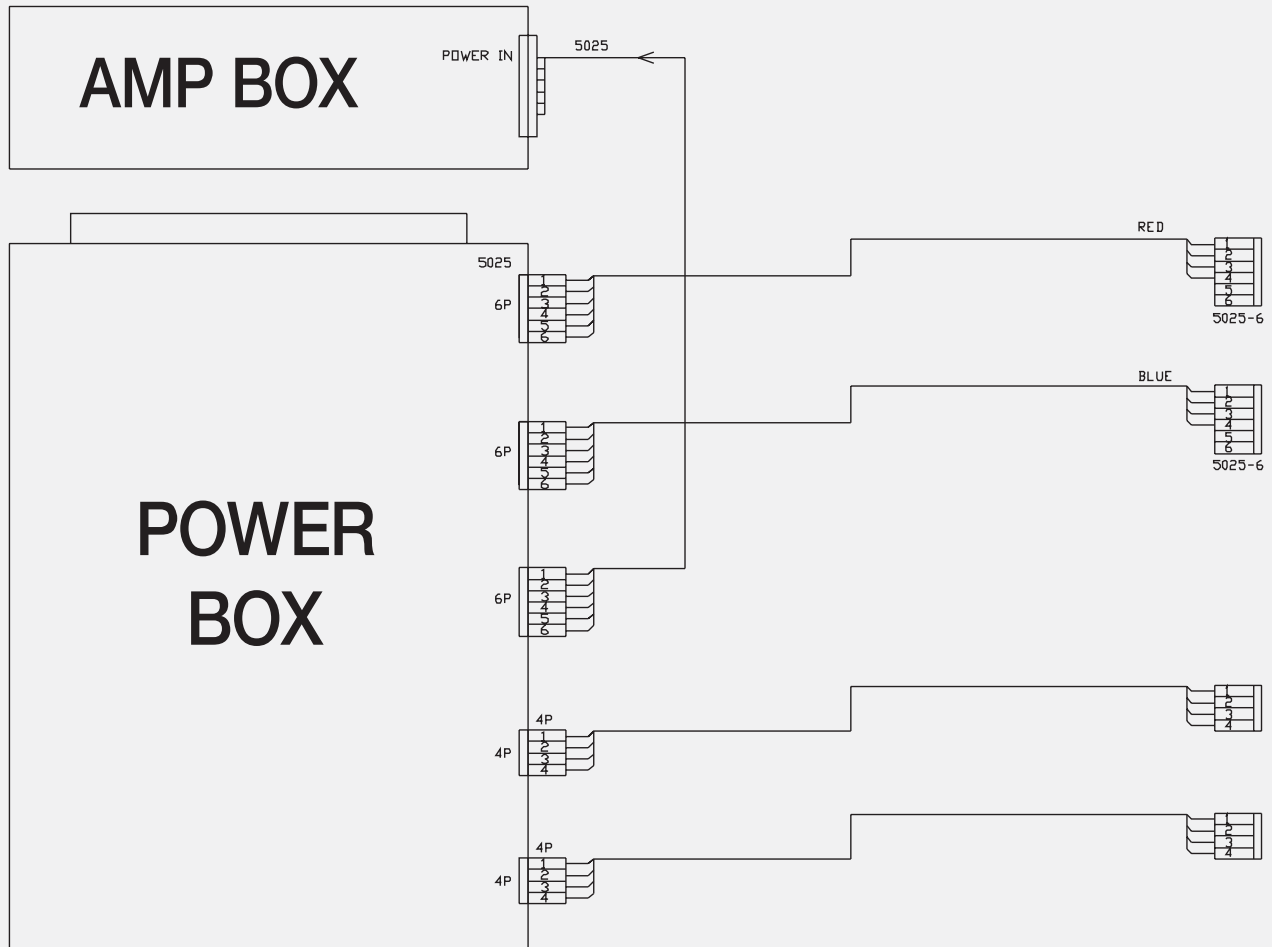


NO.	PART NAME	SPEC.	QUANTITY	CODE NO.
1	BUTTON PLATE	-	1	-
2	USB HUB COVER	-	1	-
3	USB COVER ACRYL	3.0t	1	-
4	PBL	16mm/DC 12V	2	-
5	BUTTON SWITCH	BLC-TN-F-CY	4	-
6	BUTTON SWITCH	BLC-TN-F-CG	2	-

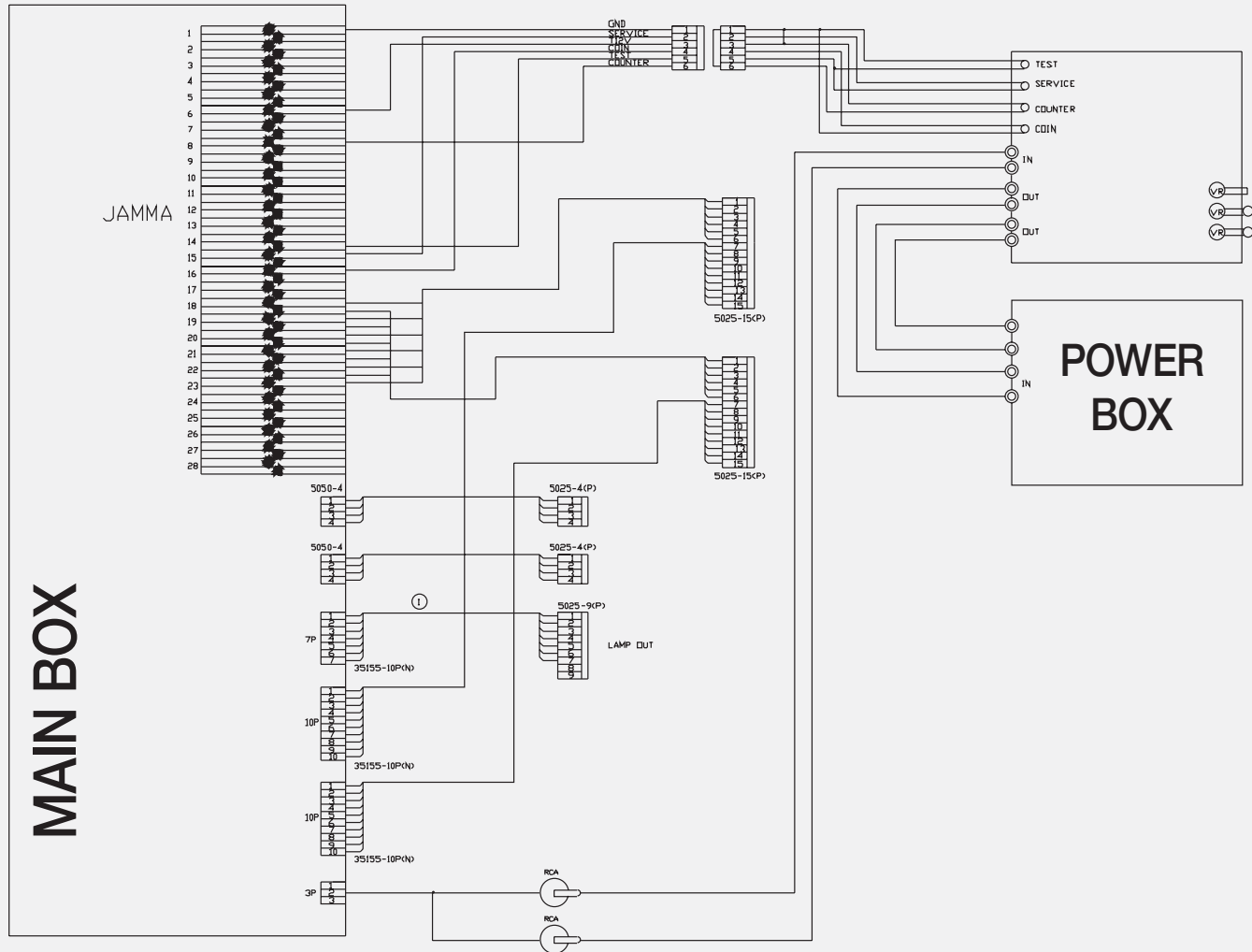
AMP BOX ASS'Y

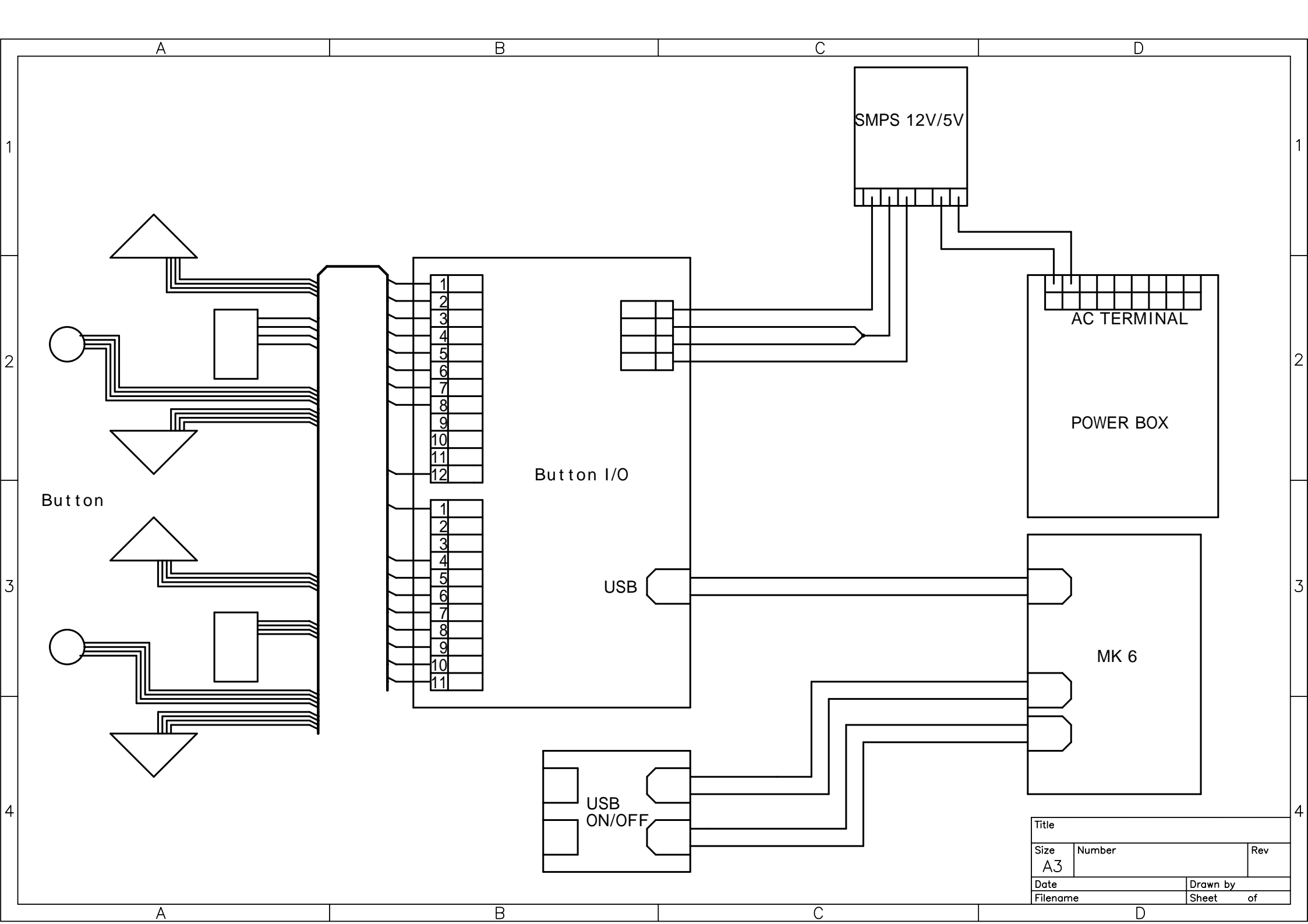


POWER BOX ASS'Y



MAIN BOX ASS'Y





A

B

C

D

1

1

2

2

3

3

4

4

A

B

C

D

SMPS 12V/5V

AC TERMINAL

POWER BOX

Button

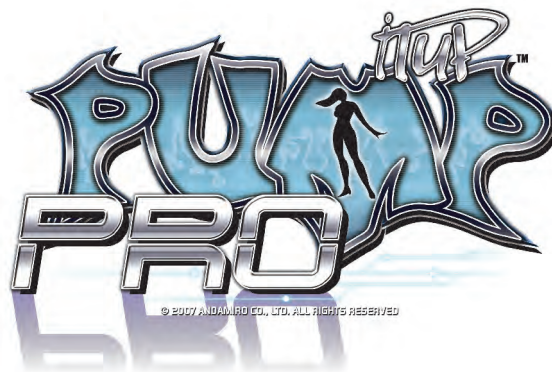
Button I/O

USB

MK 6

USB
ON/OFF

Title		
Size A3	Number	Rev
Date	Drawn by	
Filename	Sheet	of



ISSUE DATE : SEP. 10, 2007